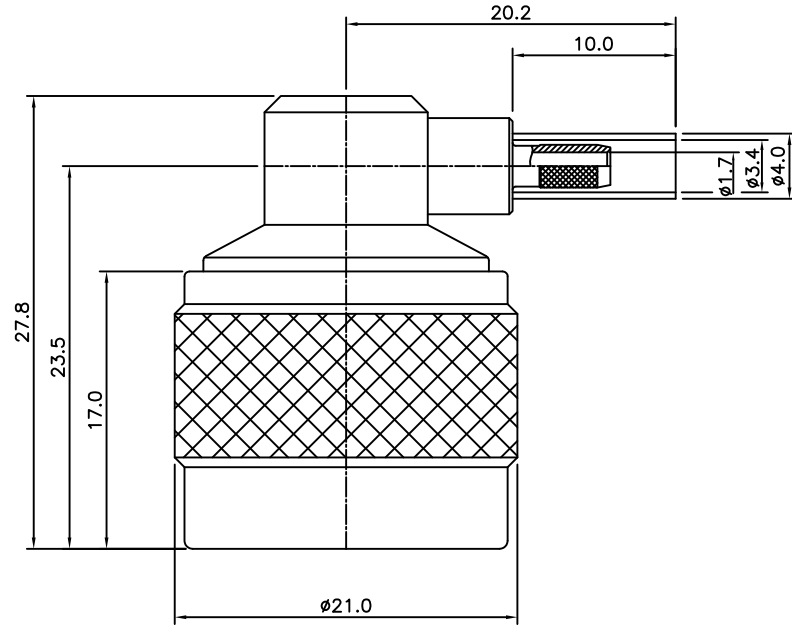


1 2 3 4 5 6

No.	Revision	Date	Name
△			
△			

RoHS Compliant



N-TYPE RIGHT ANGLE PLUG
for Cable RG316D/S

Item	Materials	Plating
Body	Brass	Nickel Plated
Coupling Cap	Brass	Nickel Plated
Center contact	Brass	Gold Plated
Insulator	PTFE	-
Seal	Silicon rubber	-
Ferrule	Brass	Nickel Plated

CUSTOMER

NO.	DESCRIPTION	Q'TY	MATERIAL	FINISH	REMARKS.
PARTS No.	N-311-002	NAME	N-RA PLUG RG316D		APPROVED
MATERIAL	FINISH	TOLERANCES OTHERWISE SPEC. ±0.05		ANGLES ±1°	CHECKED
SCALE		UNIT	mm		DESIGNED S.J.LEE
DWG NO.		N-311-002		DATE.	2001.05/07



DONGJIN TI.