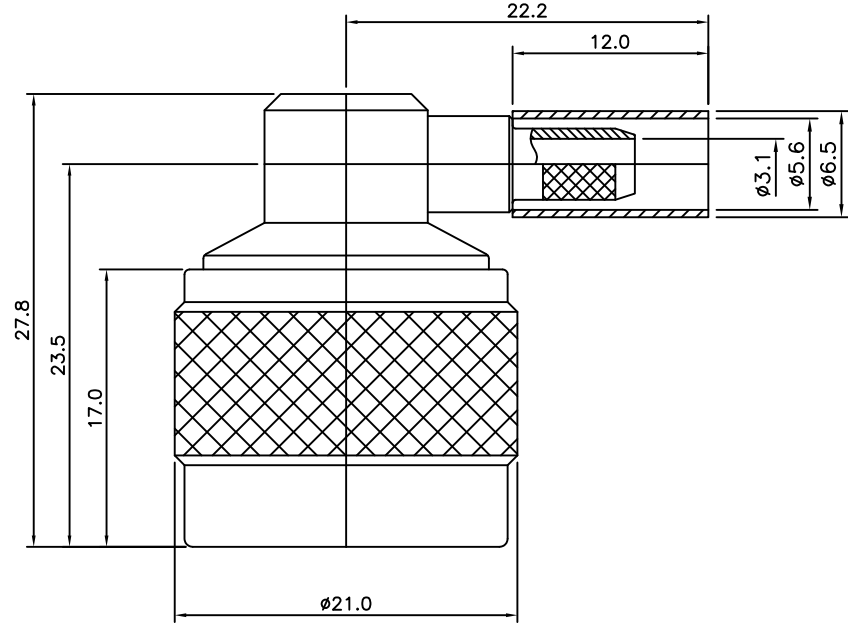


No.	Revision	Date	Name
△	PN Change from 1N-312-00	29/APR/2014	S.J.PARK
△			

RoHS Compliant



N-TYPE RIGHT ANGLE PLUG
for Cable RG400

Item	Materials	Plating
Body	Brass	Nickel Plated
Coupling Cap	Brass	Nickel Plated
Center contact	Brass	Gold Plated
Insulator	PTFE	-
Seal	Silicon rubber	-

NO.	DESCRIPTION	Q'TY	MATERIAL	FINISH	REMARKS.
PARTS No.	N-312-001	NAME	N-RA PLUG RG400		APPROVED
MATERIAL	FINISH	TOLERANCES OTHERWISE SPEC. ±0.05		ANGLES ±1°	CHECKED
SCALE		UNIT	mm		DESIGNED S.J.LEE
DWG NO.		N-312-001		DATE.	2001.05/07

CUSTOMER



DONGJIN TI.