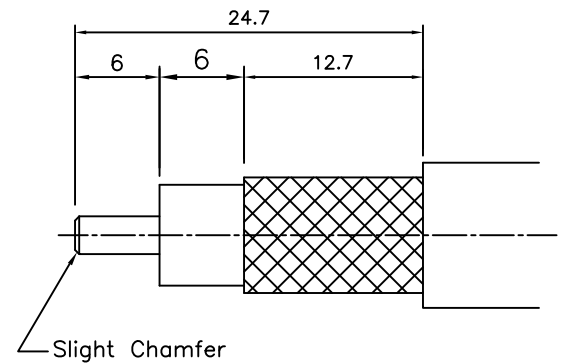
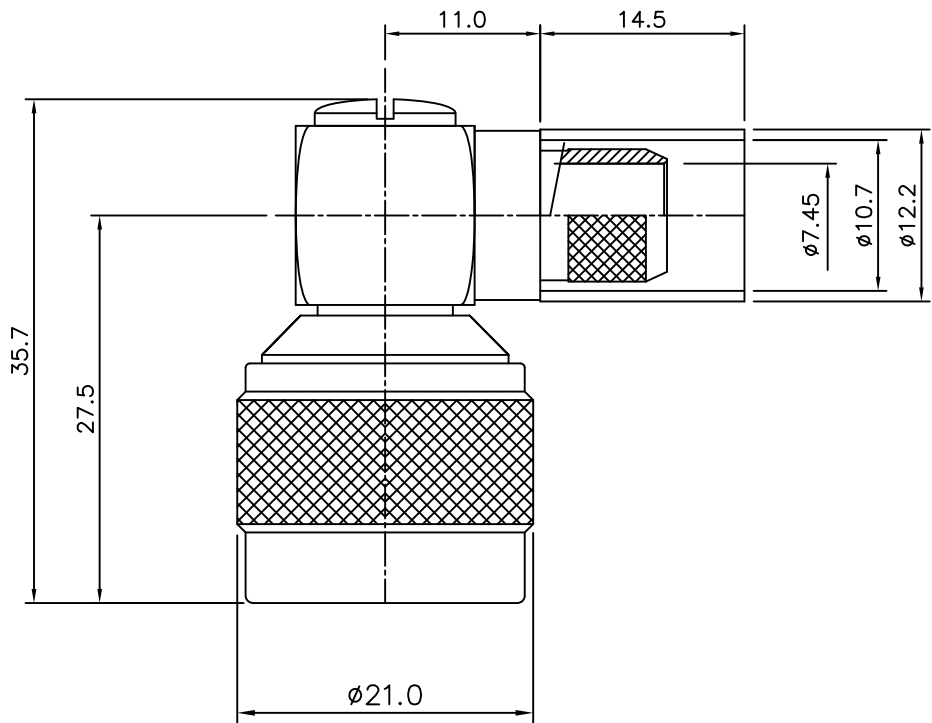


No.	Revision	Date	Name
▲	PN Change from 1N-314-04	31/10/2013	B.G.YUN
▲			

**SPECIFICATIONS**

Impedance ; 50ohm  
 Frequency ; DC~6GHz  
 Working Voltage; 1,000 VRMS  
 VSWR ; max 1.25:1 UP TO 3.0GHz  
 Temperature range : -55°C to +155°C

RoHS Compliant



Recommended Stripping DIM'S  
Recommended Crimp DIES : HEX10.7

N-Type Right angle Plug for LMR400, RG213  
 Crimp Outer/Solder Center

Item	Materials	Plating
Body	Brass	Nickel Plated
Coupling Cap	Brass	Nickel Plated
Center contact	Brass	Gold Plated
Insulator	PTFE	-
Seal	Silicon rubber	-
Ferrule	Brass	Nickel Plated

**CUSTOMER**

NO.	DESCRIPTION	Q'TY	MATERIAL	FINISH	REMARKS.
PARTS No.	N-314-002		NAME	N R/A PLUG-LMR400	APPROVED
MATERIAL	FINISH	TOLERANCES OTHERWISE SPEC. ±0.05 ANGLES ±1°			CHECKED
		SCALE	UNIT mm		DESIGNED S.J.LEE
		DWG NO.	N-314-002		DATE. 31/OCT/2013

