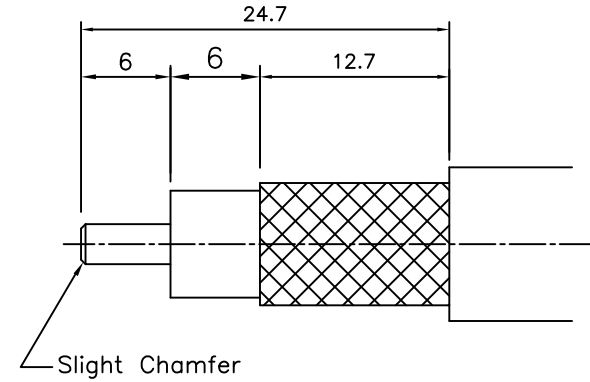
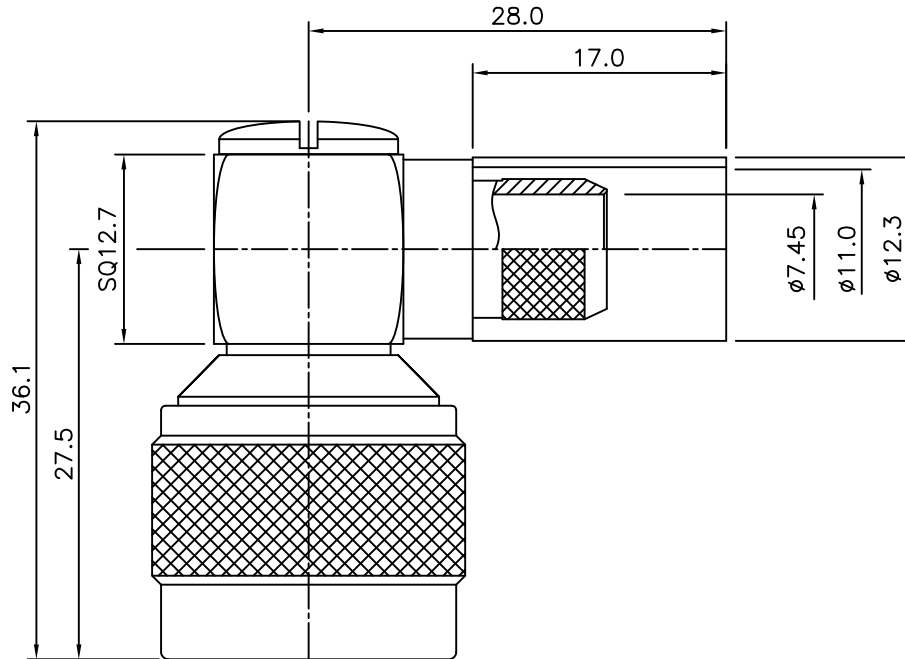


RoHS Compliant

No.	Revision	Date	Name
▲	PN Change from 1N-314-00	02/JUL/2014	S.J.PARK
▲			



Item	Materials	Plating
Body	Brass	Nickel Plated
Coupling Cap	Brass	Nickel Plated
Center contact	Brass	Gold Plated
Insulator	PTFE	-
Seal	Silicon rubber	-
Ferrule	Brass	Nickel Plated

N-Type Right Angle Plug for RG214  
Crimp Outer/Solder Center

**CUSTOMER**

NO.	DESCRIPTION	Q'TY	MATERIAL	FINISH	REMARKS.
PARTS No.	N-314-007	NAME	N R/A PLUG-RG214		APPROVED
MATERIAL	FINISH	TOLERANCES OTHERWISE SPEC. ±0.05		ANGLES ±1°	CHECKED
SCALE		UNIT	mm		DESIGNED S.J.LEE
DWG NO.		N-314-007		DATE.	07/MAY/2006

DONGJIN TI.