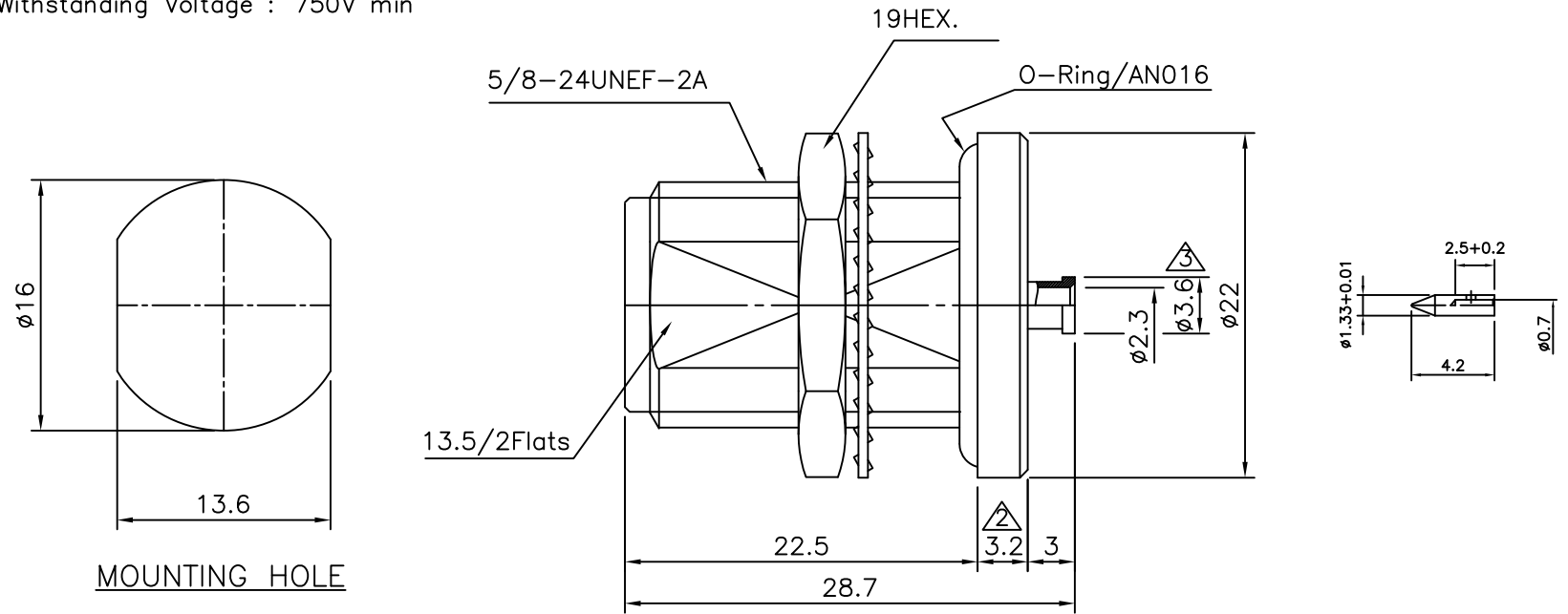


ELECTRICAL DATA

Impedance : 50 ohm
 Frequency Range : DC~6GHz
 V.S.W.R : 1.35:1@6GHz
 Voltage rating : 250Vrms
 Insulation Resistance : 5000MΩ min.
 Dielectric Withstanding Voltage : 750V min

| No. | Revision | Date | Name |
|-----|-------------------------------|-------------|----------|
| ① | PN Change from 1N-401-00 | 20/NOV/2013 | S.J.PARK |
| ② | Length Change from 3.0 to 3.2 | 20/NOV/2013 | S.J.PARK |
| ③ | Cable entry structure change | 20/NOV/2013 | S.J.PARK |



N-TYPE BULKHEAD JACK
 with Panel seal
 for Cable UT085

| Item | Materials | Plating |
|-----------------|-----------------|---------------|
| Body,Nut,Washer | Brass | Nickel Plated |
| Center contact | Be-Cu | Gold Plated |
| Insulator | PTFE | - |
| Seal | Silicone rubber | - |

| NO. | DESCRIPTION | Q'TY | MATERIAL | FINISH | REMARKS. |
|-----------|-------------|-------------------------------------|----------|---------------------|---------------------|
| PARTS No. | N-401-001 | | NAME | N-Bulkhead JACK-085 | APPROVED |
| MATERIAL | FINISH | TOLERANCES OTHERWISE SPEC. ±0.05 | | ANGLES ±1° | CHECKED |
| SCALE | | UNIT | mm | | DESIGNED S.J.LEE |
| DWG NO. | | N-401-001 | | DATE. | 04/MAY/2006 |

CUSTOMER

