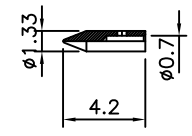
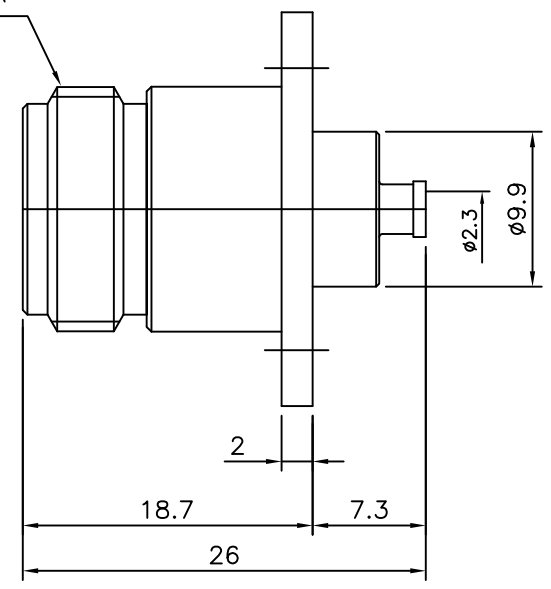


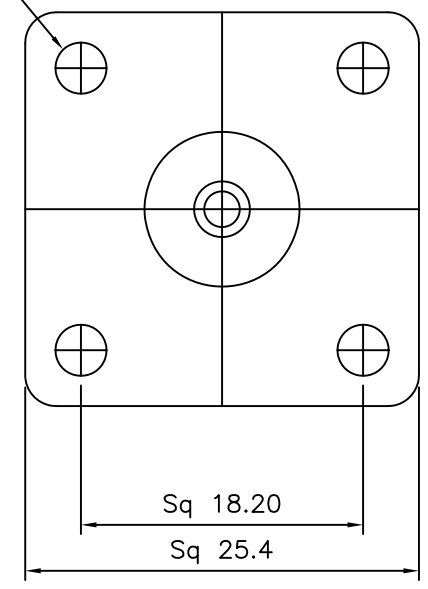
4	5	6	
No.	Revision	Date	Name
△	PN Change from 1N-403-00	08/JAN/2014	S.J.PARK
△			

RoHS Compliant

5/8-24UNEF-2A



4-∅3.2



Item	Materials	Plating
Body	Brass	Nickel Plated
Center contact	Be-Cu	Gold Plated
Cable Insert Pin	Brass	Gold Plated
Insulator	PTFE	-

N-TYPE Panel JACK  
for Cable UT085

NO.	DESCRIPTION	Q'TY	MATERIAL	FINISH	REMARKS.
PARTS No.	N-401-002	NAME	N-Panel JACK-085		APPROVED
MATERIAL	FINISH	TOLERANCES OTHERWISE SPEC. ±0.05		ANGLES ±1°	CHECKED
SCALE		UNIT	mm		DESIGNED S.J.LEE
DWG NO.		N-401-002		DATE.	17/NOV/2006

CUSTOMER

