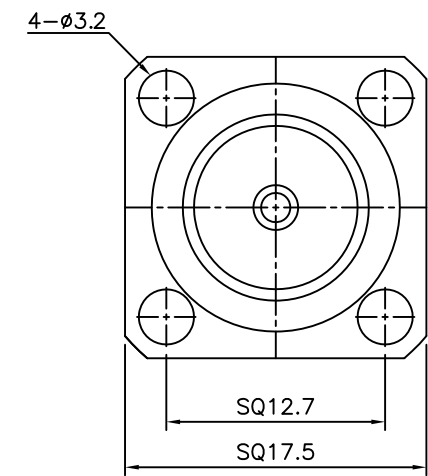
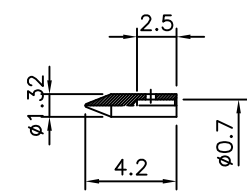
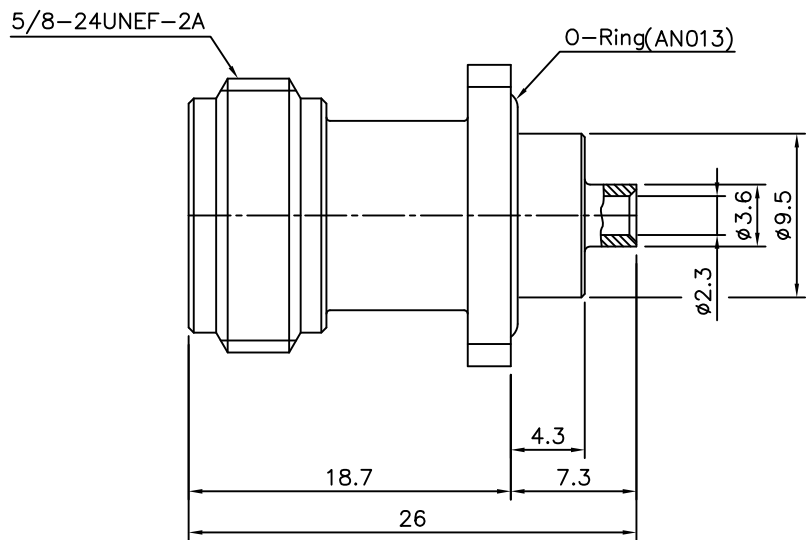


No.	Revision	Date	Name
1	Dimension Change	29/01/2014	B.G.YUN
2	PN Change from 1N-405-00	28/04/2014	S.J.PARK

RoHS Compliant



Item	Materials	Plating
Body	Brass	Nickel Plated
Center contact	Be-Cu	Gold Plated
Cable Insert Pin	Brass	Gold Plated
Insulator	PTFE	-

N-TYPE PANEL JACK-4HOLES
w/h Panel seal
for Cable-UT085

NO.	DESCRIPTION	Q'TY	MATERIAL	FINISH	REMARKS.
PARTS No.	N-401-003		NAME	N-4H JACK UT085	APPROVED
MATERIAL	FINISH	TOLERANCES OTHERWISE SPEC. ±0.05		ANGLES ±1°	CHECKED
SCALE		UNIT	mm		DESIGNED S.J.LEE
DWG NO.		N-401-003		DATE.	2001.2/27

CUSTOMER

