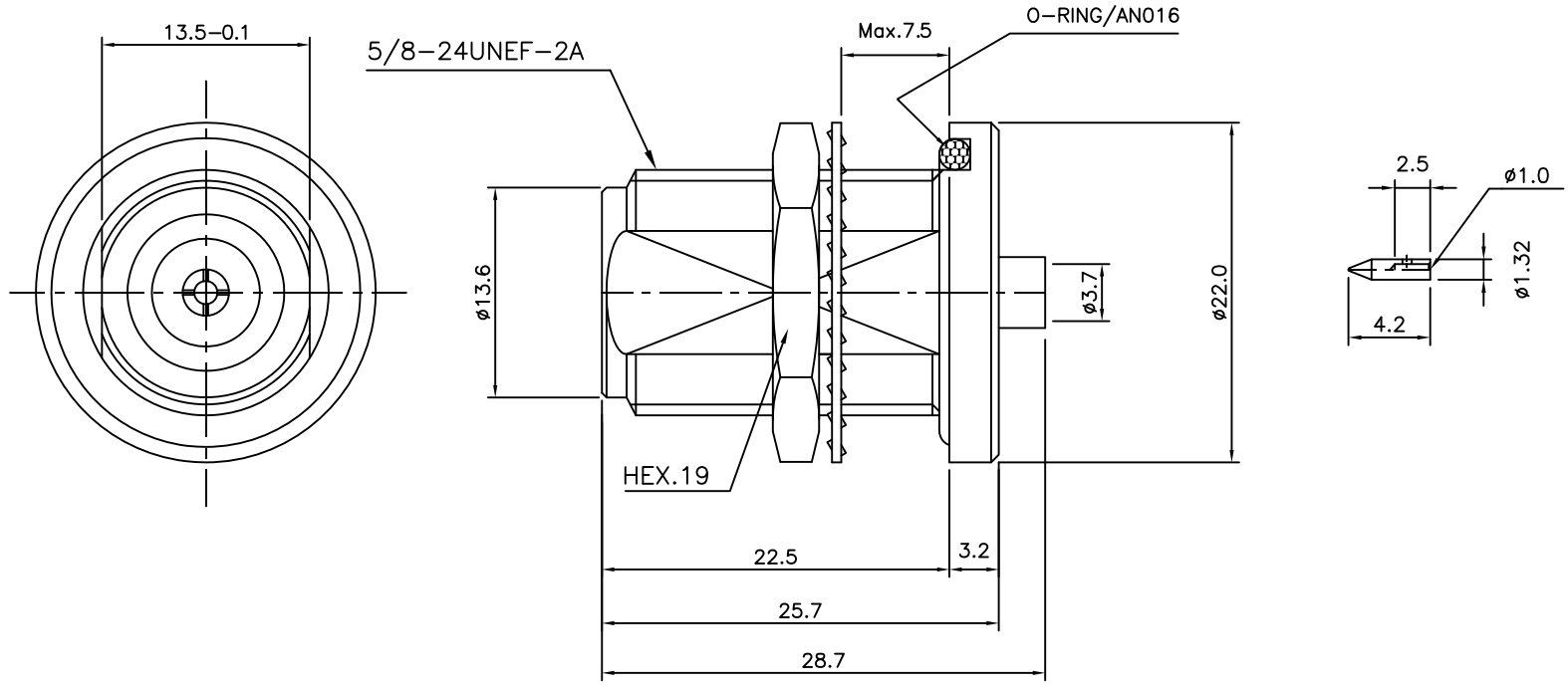


4	5	6	
No.	Revision	Date	Name
▲	PN Change from 1N-402-00	27/AUG/2013	S.J.PARK
▲			

RoHS Compliant



N-TYPE BULKHEAD JACK  
with Panel seal  
for Cable UT141

Item	Materials	Plating
Body,Nut,Washer	Brass	Nickel Plated
Center contact	Be-Cu	Gold Plated
Insert pin	Brass	Nickel Plated
Insulator	PTFE	-
Seal	Silicon rubber	-

CUSTOMER

NO.	DESCRIPTION	Q'TY	MATERIAL	FINISH	REMARKS.
PARTS No.	N-402-001	NAME	N Type-BJ141		APPROVED
MATERIAL	FINISH	TOLERANCES OTHERWISE SPEC. ±0.05		ANGLES ±1°	CHECKED
SCALE		UNIT	mm		DESIGNED S.J.LEE
DWG NO.		N-402-001		DATE.	2001.05/07

