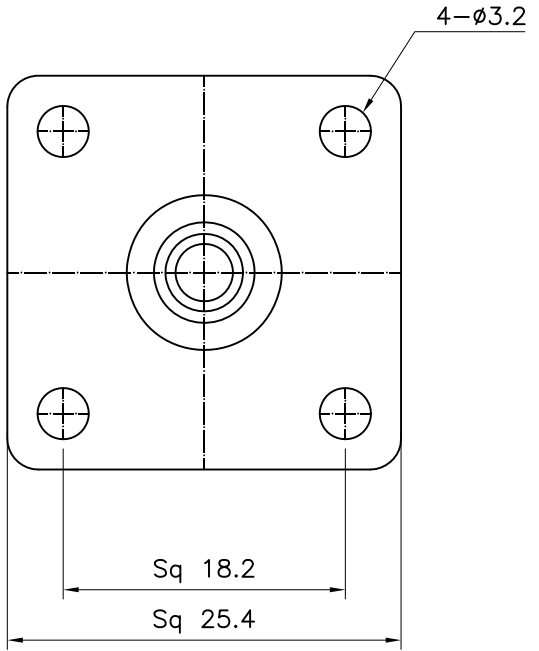
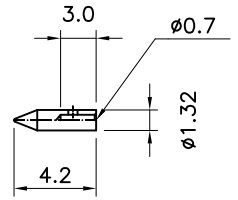
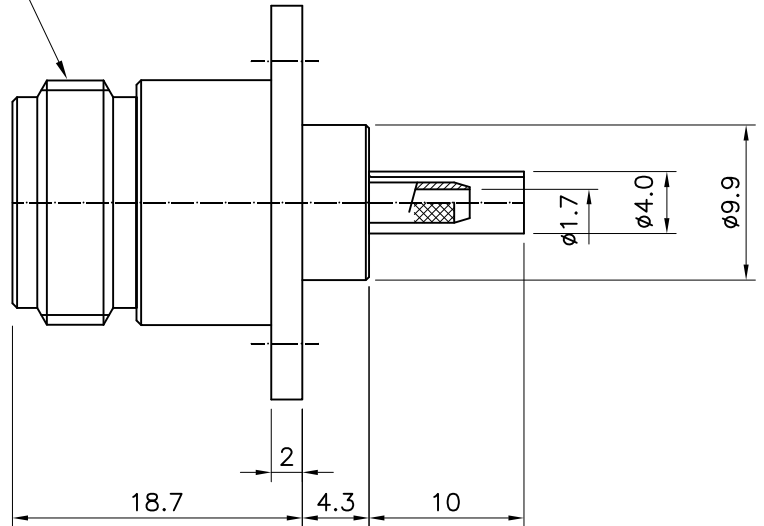


4	5	6	
No.	Revision	Date	Name
△	PN Change from 1N-413-00	15/10/2013	B.G.YUN
△			

RoHS Compliant

5/8-24UNEF-2A



Item	Materials	Plating
Body	Brass	Nickel Plated
Center contact	Be-Cu	Gold Plated
Insulator	PTFE	-
Ferrule	Brass	Nickel Plated
Cable Insert Pin	Brass	Gold Plated

N-TYPE Panel 4H-JACK
for Cable RG316

NO.	DESCRIPTION	Q'TY	MATERIAL	FINISH	REMARKS.
PARTS No.	N-411-004		NAME	N-F4H-316	APPROVED
MATERIAL	FINISH	TOLERANCES OTHERWISE SPEC. ±0.05		ANGLES ±1°	CHECKED
SCALE		UNIT	mm		DESIGNED S.J.LEE
DWG NO.		N-411-004		DATE. 29/APR/2011	

CUSTOMER

