

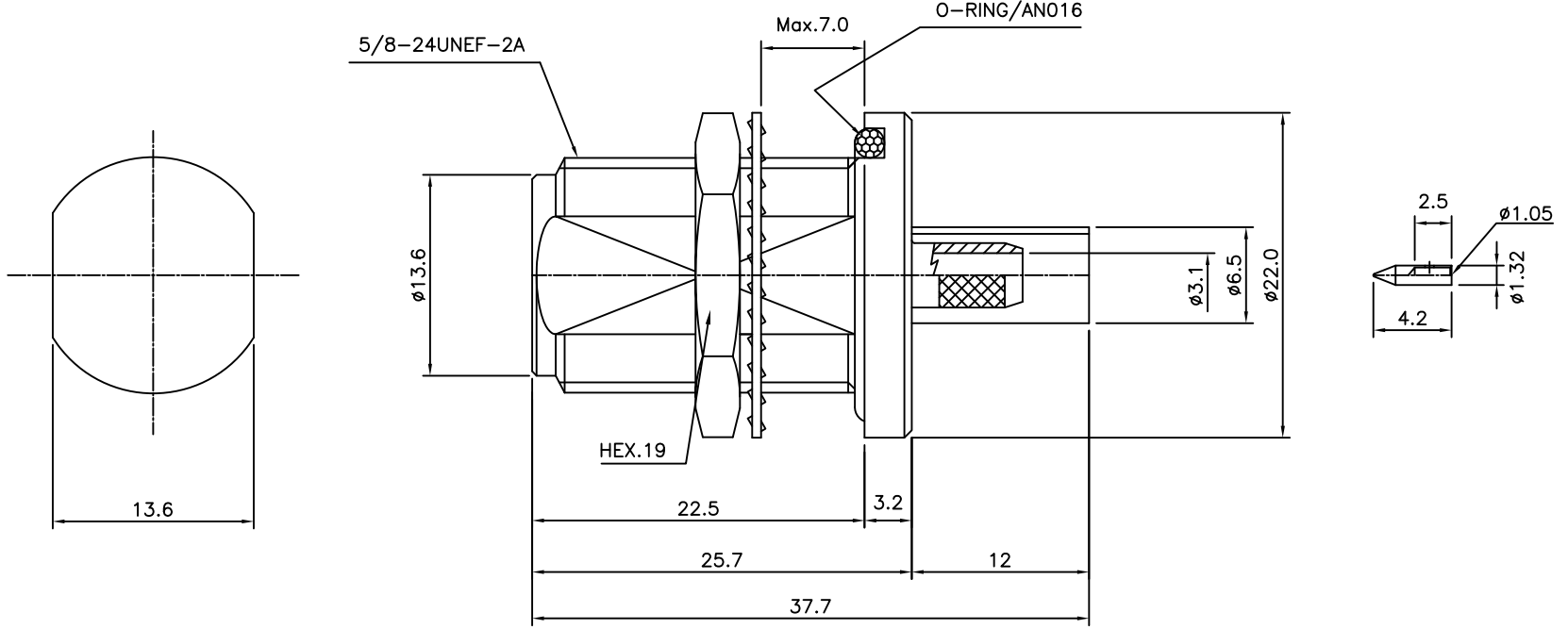
1 2 3 4 5 6

No.	Revision	Date	Name
▲	PN Change from 1N-412-00	21/01/2014	B.G.YUN
▲			

SPECIFICATIONS

Impedance ; 50ohm
 Frequency ; DC~11GHz
 Working Voltage; 1,000 VRMS
 VSWR ; max 1.20:1 UP TO 6.0GHz
 Temperature range : -45°C to +125°C

RoHS Compliant



N-TYPE BULKHEAD JACK
 with Panel SEAL
 for Cable RG142,400,223

Item	Materials	Plating
Body,Nut	Brass	Nickel Plated
Center contact	Be-Cu	Gold Plated
Ferrule	Brass	Nickel Plated
Insulator	PTFE	-
Seal	Silicon rubber	-

NO.	DESCRIPTION	Q'TY	MATERIAL	FINISH	REMARKS.
PARTS No.	N-412-001	NAME	N Type-BJ-400		APPROVED
MATERIAL	FINISH	TOLERANCES OTHERWISE SPEC. ±0.05		ANGLES ±1°	CHECKED
SCALE		UNIT	mm		DESIGNED S.J.LEE
DWG NO.		N-412-001		DATE.	08/MAR/2007

CUSTOMER

