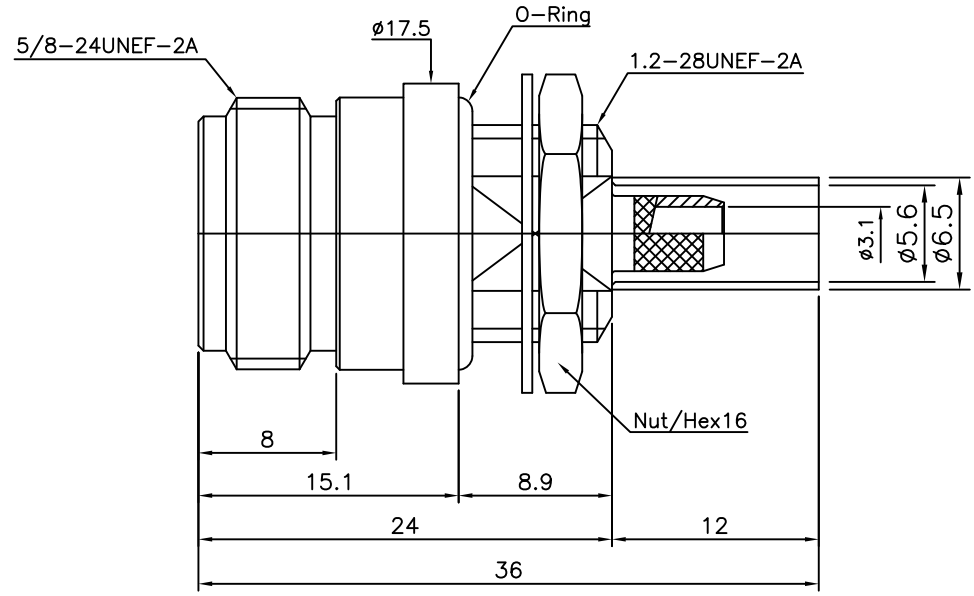


4	5	6	
No.	Revision	Date	Name
▲	PN Change from 1N-412-F240	29/APR/2014	S.J.PARK
▲			



MOUNTING HOLES

N-Bulkhead Front Mount JACK
w/h Panel seal
for Cable-RG400

Item	Materials	Plating
Body,Nut,Washer	Brass	Nickel Plated
Center contact	Be-Cu	Gold Plated
Ferrule	Brass	Nickel Plated
Insulator	PTFE	-

CUSTOMER

NO.	DESCRIPTION	Q'TY	MATERIAL	FINISH	REMARKS.
PARTS No.	N-412-002	NAME	N-BR/J-400		APPROVED
MATERIAL	FINISH	TOLERANCES OTHERWISE SPEC. ± 0.05		ANGLES $\pm 1^\circ$	CHECKED
		SCALE	UNIT mm		DESIGNED S.J.LEE
		DWG NO.	N-412-002		DATE. 20/DEC/2006

