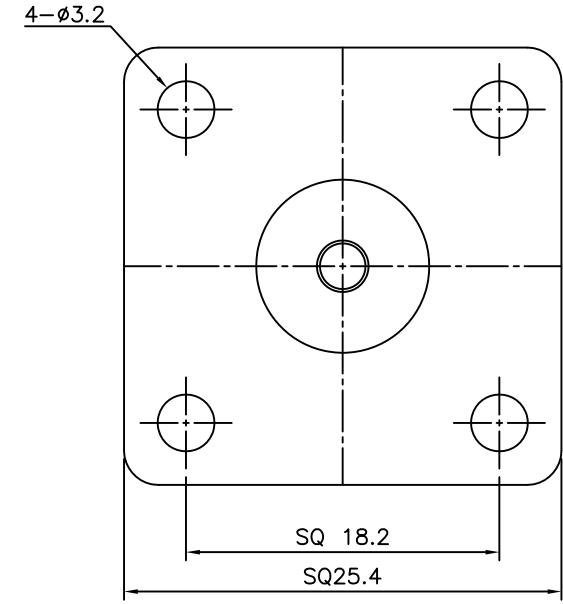
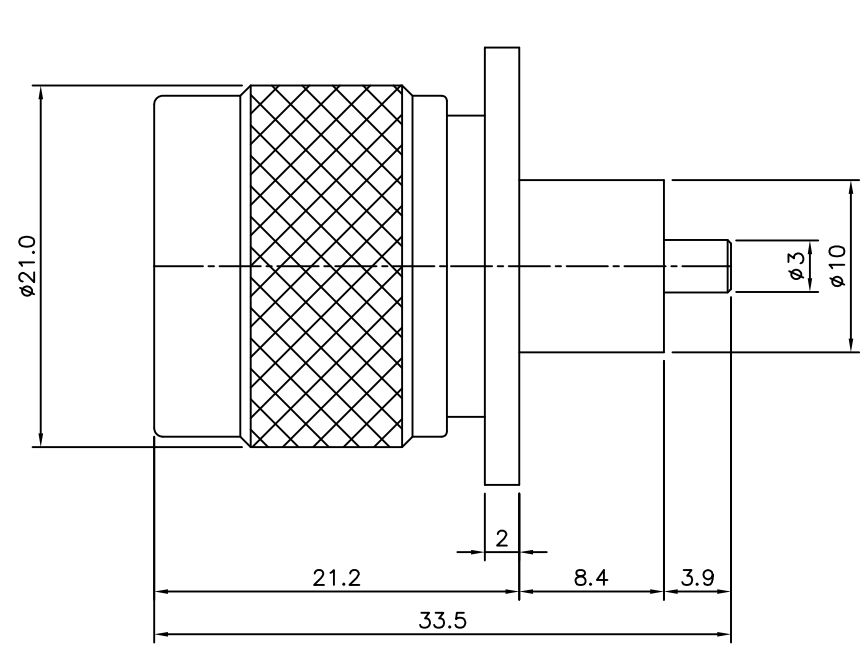


4	No.	Revision	5	Date	6
	▲	PN Change from 1N-511-8439		29/APR/2014	S.J.PARK
	▲				

RoHS Compliant



Item	Materials	Plating
Body	Brass	Nickel Plated
Coupling Cap	Brass	Nickel Plated
Center contact	Brass	Gold Plated
Insulator	PTFE	-

N-TYPE Panel 4Hole PLUG RECEPTACLE

NO.	DESCRIPTION	Q'TY	MATERIAL	FINISH	REMARKS.
PARTS No.	N-503-002	NAME	N-P4H RECEP		APPROVED
MATERIAL	FINISH	TOLERANCES OTHERWISE SPEC. ±0.05		ANGLES ±1°	CHECKED
SCALE		UNIT	mm		DESIGNED S.J.LEE
DWG NO.		N-503-002		DATE.	25/FEB/2012

CUSTOMER

