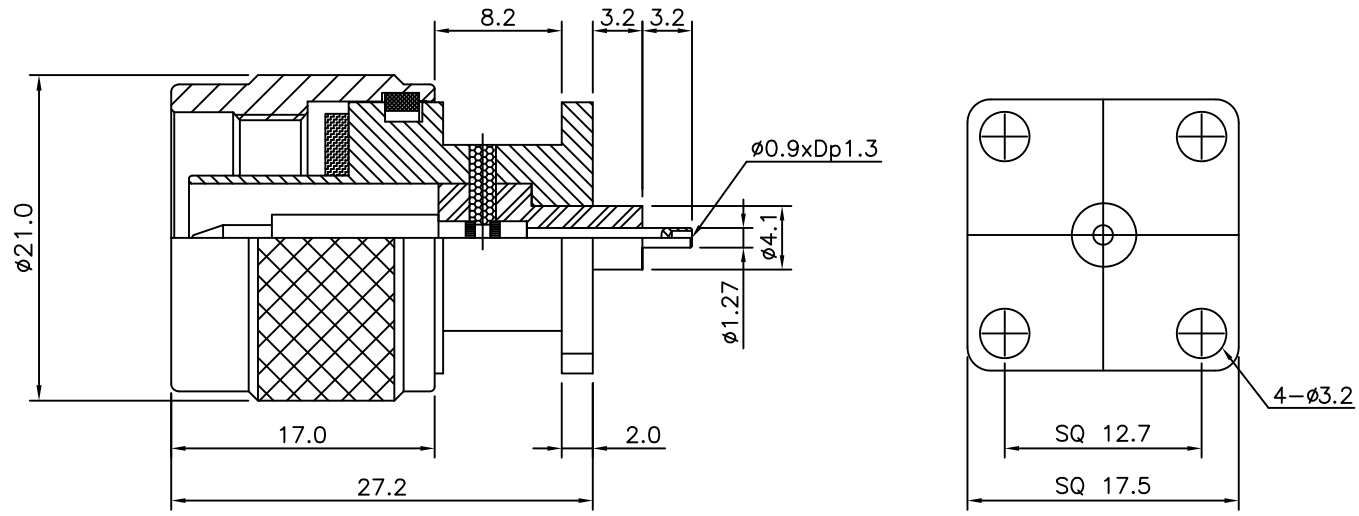


No.	Revision	Date	Name
△	PN Change from 1N-510-3232E1	08/11/2013	B.G.YUN
△			

RoHS Compliant



\*\*CENTER CONTACT RETENTION;  
 Axial force: 6.0 pounds min.  
 Radial torque: 4 inch-ounces min.

Item	Materials	Plating
Body	Brass	Nickel Plated
Coupling Cap	Brass	Nickel Plated
Center contact	Brass	Gold Plated
Insulator	PTFE	-
Gasket	Silicon rubber	-

N-TYPE Panel-4H(Sq17.5) PLUG RECEPTACLE

CUSTOMER

NO.	DESCRIPTION	Q'TY	MATERIAL	FINISH	REMARKS.
PARTS No.	N-503-007	NAME	N-P-4H-RECEP		APPROVED
MATERIAL	FINISH	TOLERANCES OTHERWISE SPEC. ±0.05		ANGLES ±1°	CHECKED
		SCALE	UNIT		DESIGNED
			mm		S.J.LEE
		DWG NO.	N-503-007		DATE.
					23/APR/2013

