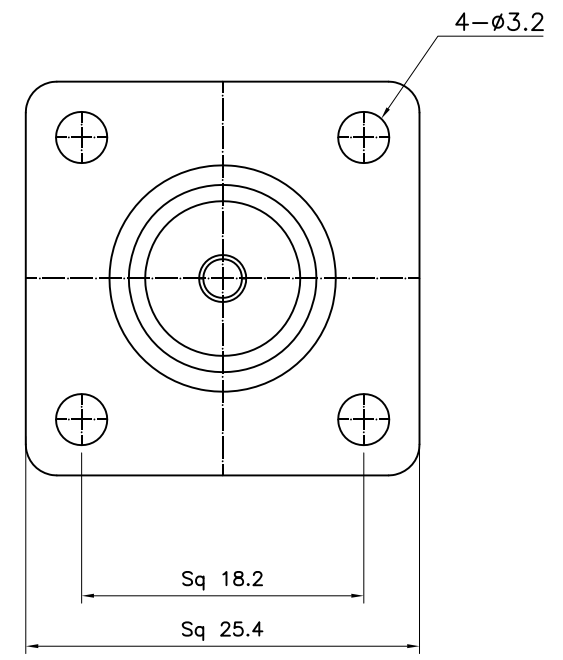
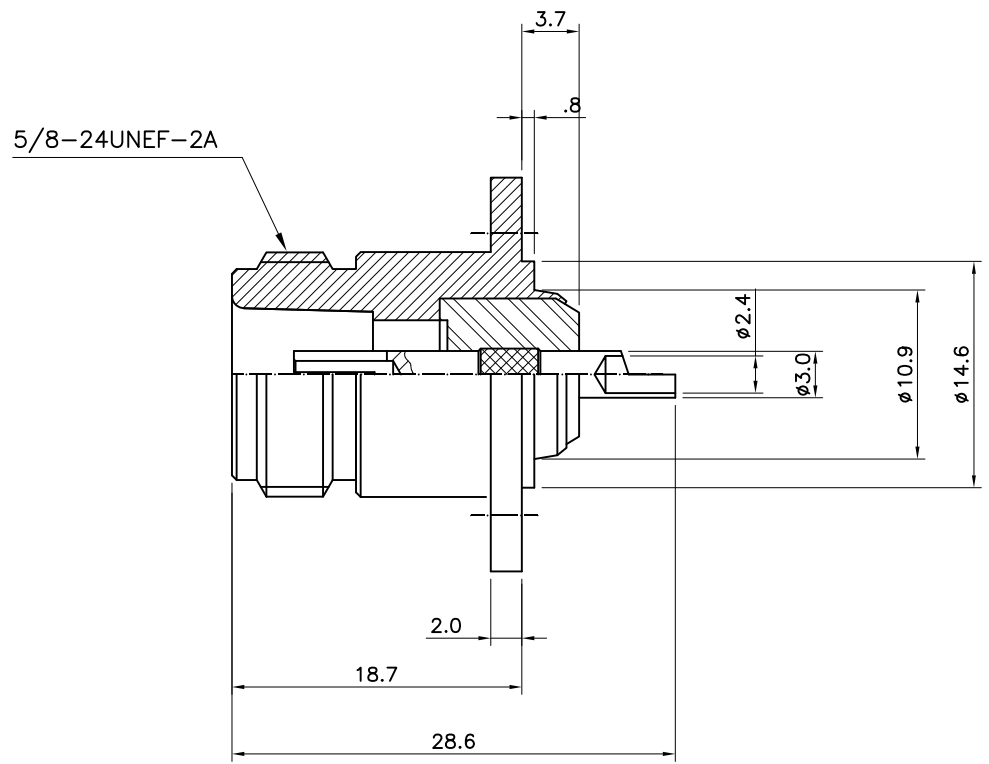


4	5	6	
No.	Revision	Date	Name
△	PN Change from 1N-512-UG58	29/07/2013	B.G.YUN
△			

D
C
B
A



Item	Materials	Plating
Body	Brass	Nickel Plated
Center contact	Be-Cu	Silver Plated
Insulator	PTFE	-

N Type-Panel Mount JACK
RECEPTACLE /Solder-End

CUSTOMER

NO.	DESCRIPTION	Q'TY	MATERIAL	FINISH	REMARKS.
PARTS No.	N-504-003	NAME	N-F-4H RECEP.		APPROVED
MATERIAL	FINISH	TOLERANCES OTHERWISE SPEC. ±0.05		ANGLES ±1°	CHECKED
SCALE		UNIT	mm		DESIGNED S.J.LEE
DONGJIN TI.		DWG NO.	N-504-003		DATE. 25/4/2003