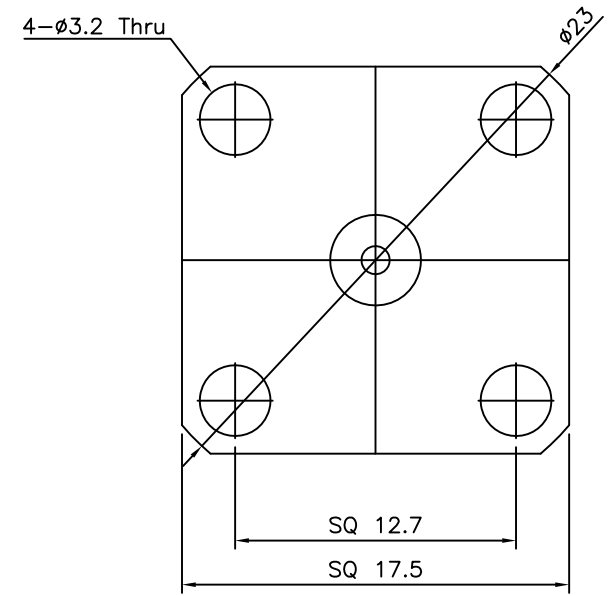
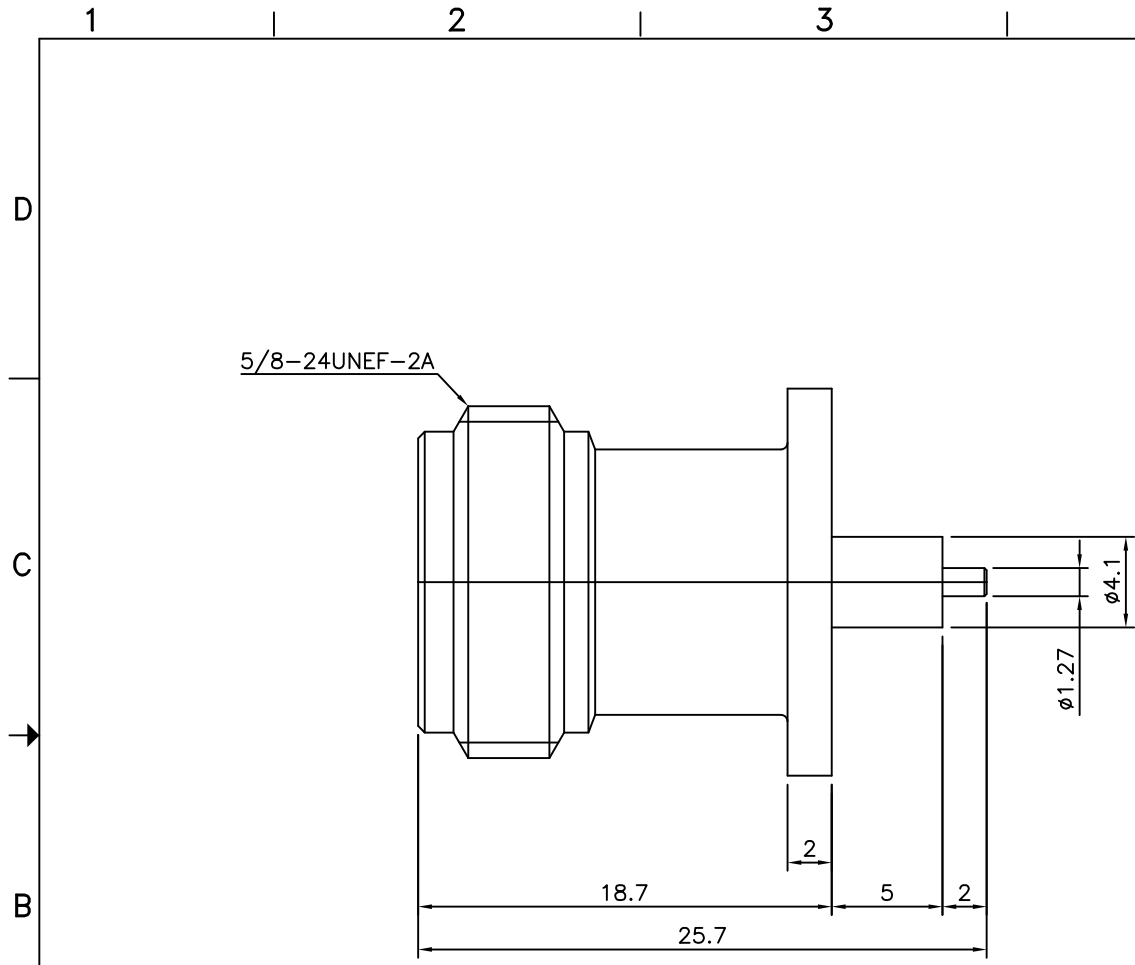


4	5	6	
No.	Revision	Date	Name
△	PN Change from 1N-513-5020	13/MAY/2014	S.J.PARK
△			

RoHS Compliant



N-Type Panel 4H JACK Receptacle

Item	Materials	Plating
Body	Brass	Nickel Plated
Center contact	Be-Cu	Gold Plated
Insulator	PTFE	-

CUSTOMER

NO.	DESCRIPTION	Q'TY	MATERIAL	FINISH	REMARKS.
PARTS No.	N-504-004	NAME	N-4H JACK RECEP.		APPROVED
MATERIAL	FINISH	TOLERANCES OTHERWISE SPEC. ± 0.05		ANGLES $\pm 1^\circ$	CHECKED
SCALE		UNIT	mm		DESIGNED S.J.LEE
DWG NO.		N-504-004		DATE. 26/NOV/2013	

