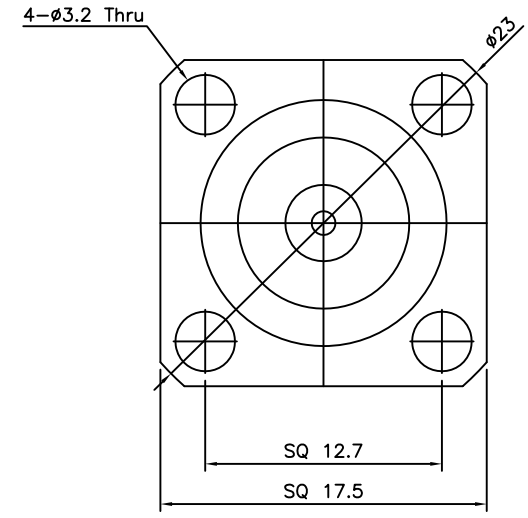
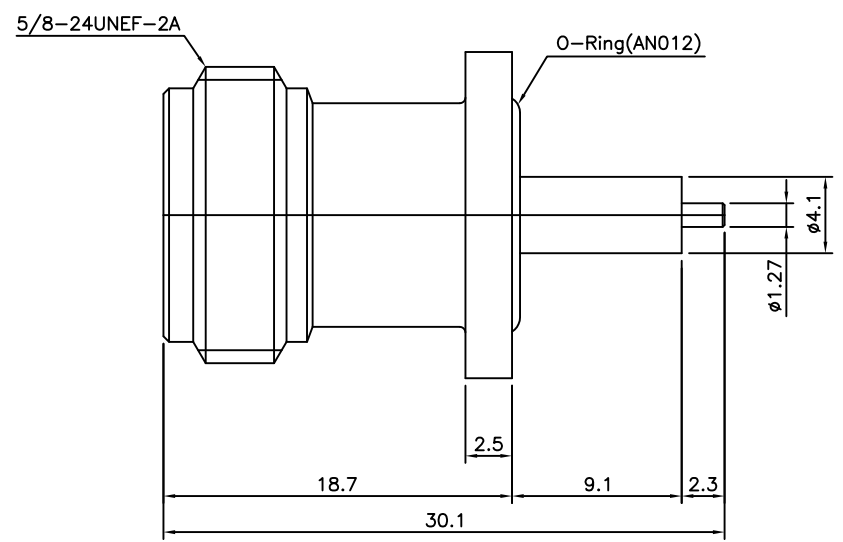


1                      2                      3                      4                      5                      6

No.	Revision	Date	Name
△			
△			

ELECTRICAL DATA  
 Impedance: 50 ohm  
 Frequency Range: DC~11.0GHz  
 V.S.W.R : 1.5:1 max.  
 Dielectric withstanding voltage : 750rms,50Hz  
 Insulation resistance: 5000 ohm  
 Temperature Range: -55°c to +125°c

RoHS Compliant



N-Type Panel Receptacle  
 JACK-4H with SEAL

Connector parts	Materials	Finish
Body	Brass	Nickel Plated
Center contact	Beryllium copper	Gold Plated
Insulator	PTFE	-
O-Ring	Silicon rubber	-

NO.	DESCRIPTION	Q'TY	MATERIAL	FINISH	REMARKS.
PARTS No.	N-504-005	NAME	N-F-4H Receptacle		APPROVED S.J.LEE
MATERIAL	FINISH	TOLERANCES OTHERWISE SPEC. ±0.05		ANGLES ±1°	CHECKED
CUSTOMER		SCALE	UNIT mm		DESIGNED S.J.PARK
		DWG NO. N-504-005		DATE. 21/FEB/2014	

D  
C  
B  
A