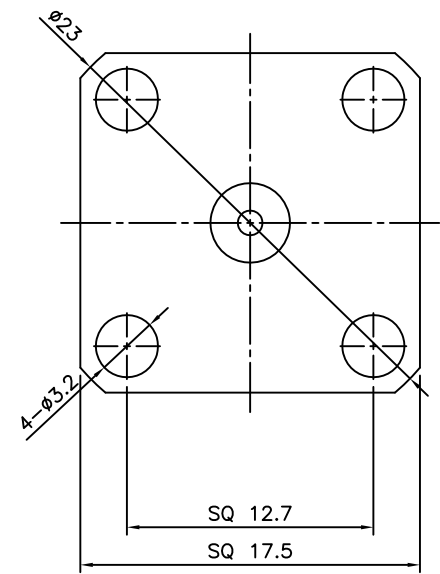
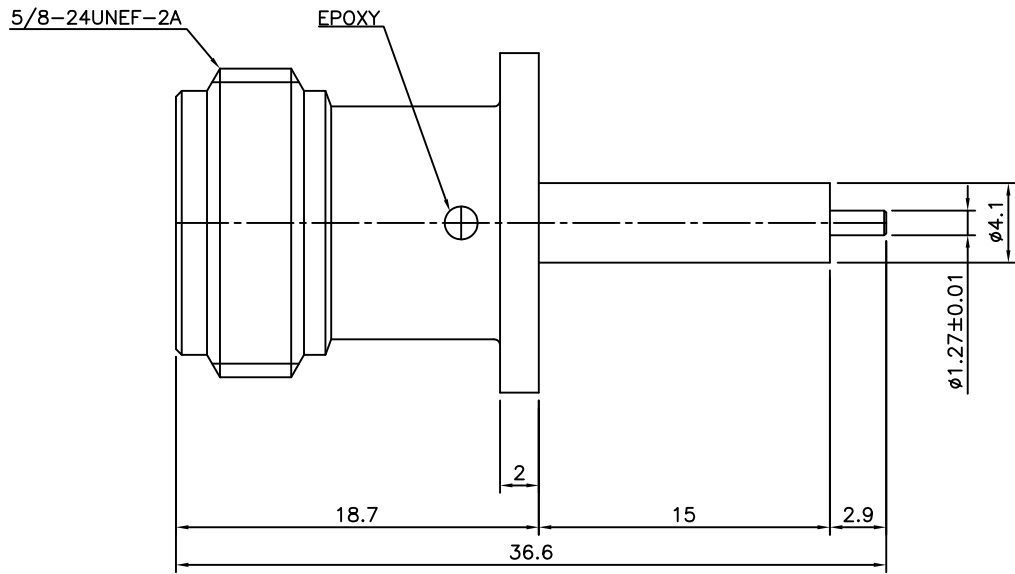


4	5	6	
No.	Revision	Date	Name
△1	PN Change from 1N-513-15029E	06/FEB/2014	S.J.PARK
△			

RoHS Compliant



FREQUENCY RANGE; DC~11GHz
V.S.W.R; 1.30:1 Max

N-Type Panel-4H(17.5) JACK
Receptacle
(Center contact-Epoxy captivated)

Connector parts	Materials	Finish
Body	Brass	Nickel Plated
Center contact	Beryllium copper	Gold Plated
Insulator	Teflon	-

NO.	DESCRIPTION	Q'TY	MATERIAL	FINISH	REMARKS.
PARTS No.	N-504-149		NAME	N-F-4H Receptacle	APPROVED
MATERIAL	FINISH	TOLERANCES OTHERWISE SPEC. ±0.05		ANGLES ±1°	CHECKED
		SCALE	UNIT mm		DESIGNED S.J.LEE
		DWG NO.	N-504-149		DATE. 04/OCT/2007

CUSTOMER