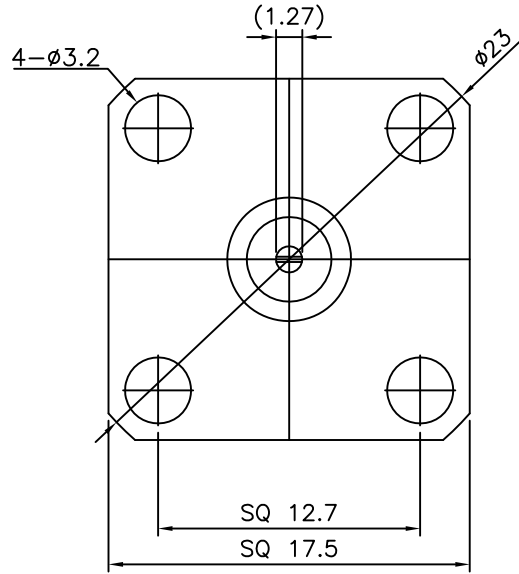
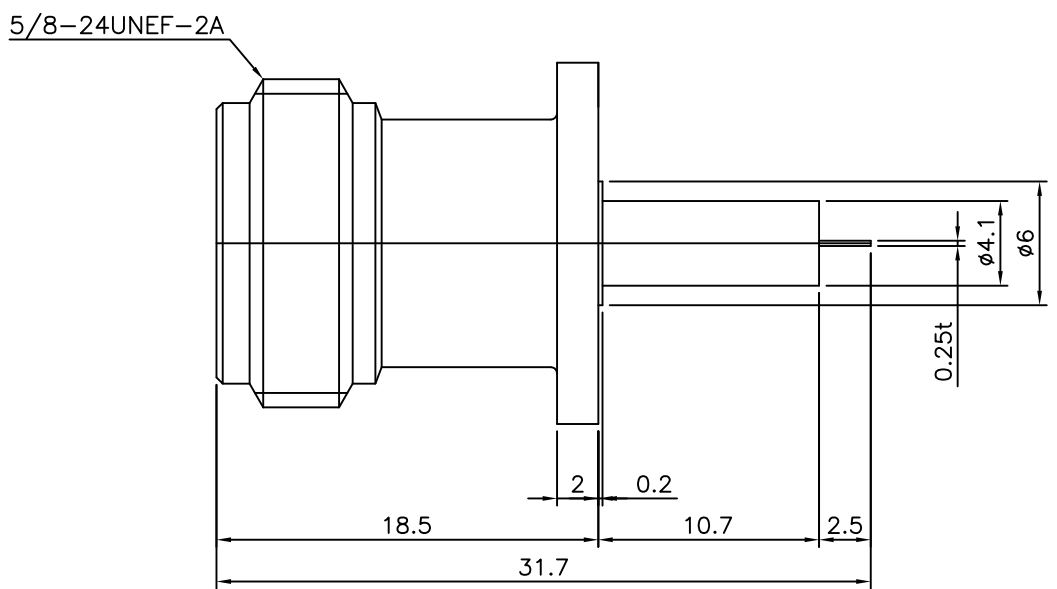


| No. | Revision | Date | Name |
|-----|----------|------|------|
| △ | | | |
| △ | | | |

ELECTRICAL DATA
 Impedance: 50 ohm
 Frequency Range: DC~13.0GHz
 V.S.W.R: 1.25:1 max.
 Temperature Range: -65°C to +125°C
 PIM: (2x20W)-155dBc @ 800~900MHz Max

RoHS Compliant



N-Type Panel 4Hole(SQ17.5) JACK Receptacle [LOW PIM]

| Item | Materials | Plating |
|----------------|-----------|---------------|
| Body | Brass | Silver Plated |
| Center contact | Be-Cu | Silver Plated |
| Insulator | PTFE | - |

CUSTOMER

| NO. | DESCRIPTION | Q'TY | MATERIAL | FINISH | REMARKS. |
|-----------|-------------|-------------------------------------|-------------------|----------------------|----------------------|
| PARTS No. | N-504-339 | NAME | N-F-4H Receptacle | | APPROVED S.J.LEE |
| MATERIAL | FINISH | TOLERANCES OTHERWISE SPEC. ±0.05 | | ANGLES ±1° | CHECKED |
| SCALE | | UNIT | mm | | DESIGNED S.J.PARK |
| DWG NO. | | N-504-339 | | DATE. 19/AUG/2014 | |

