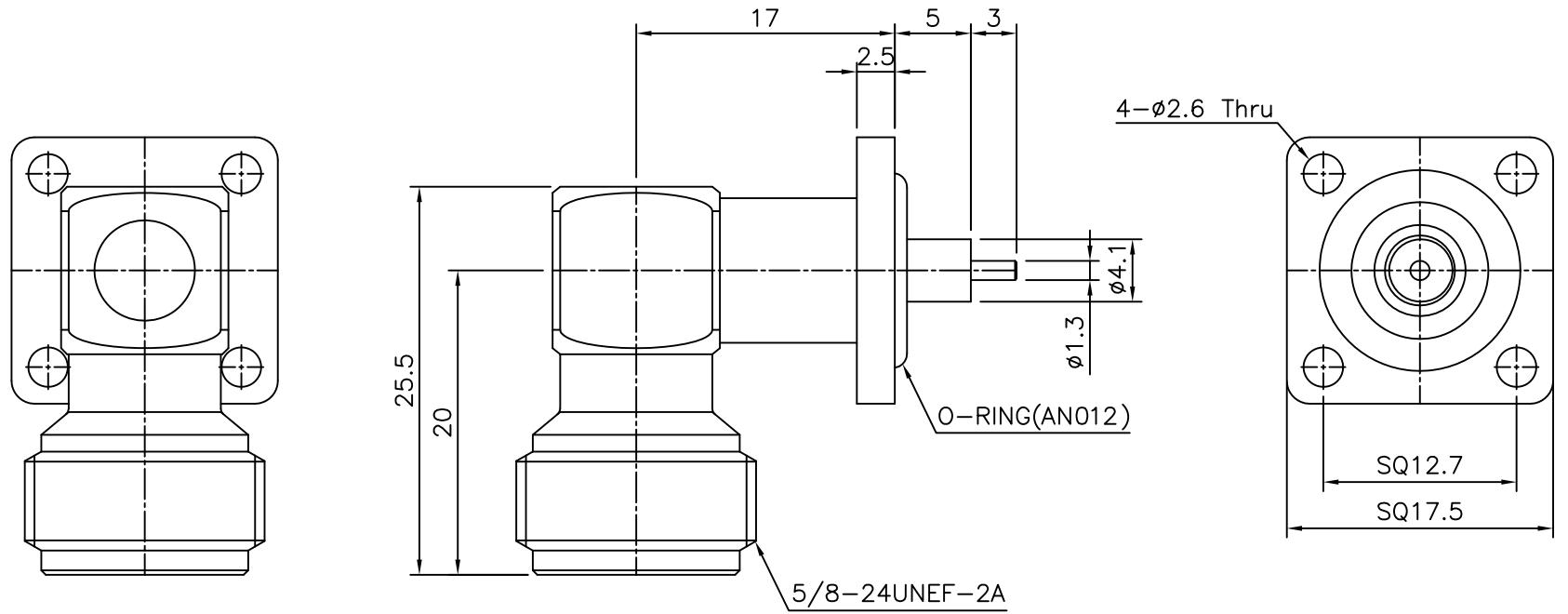


4	5	6	
No.	Revision	Date	Name
△	PN Change from 1N-702-M5030	13/MAY/2014	S.J.PARK
△			

D
C
B
A



Connector parts	Materials	Finish
Body	Brass	Nickel Plated
Center contact	Be-Cu	Gold Plated
Insulator	Brass	
	PTFE	-

N-TYPE PANEL JACK
RIGHT ANGLE RECEPTACLE

CUSTOMER



NO.	DESCRIPTION	Q'TY	MATERIAL	FINISH	REMARKS.
PARTS No.	N-508-001		NAME	N-R/A 4H-JACK RECEPTACLE	APPROVED
MATERIAL	FINISH	TOLERANCES OTHERWISE SPEC. ±0.05		ANGLES ±1°	CHECKED
		SCALE	UNIT mm		DESIGNED S.J.LEE
		DWG NO.	N-508-001		DATE. 16/FEB/2006