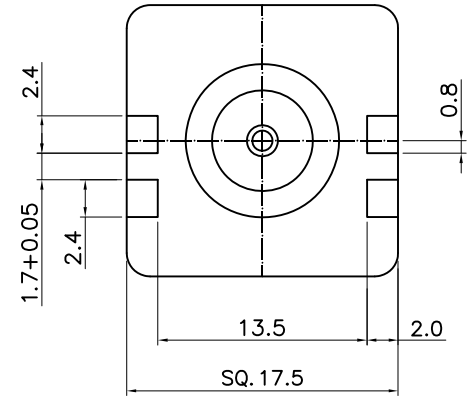
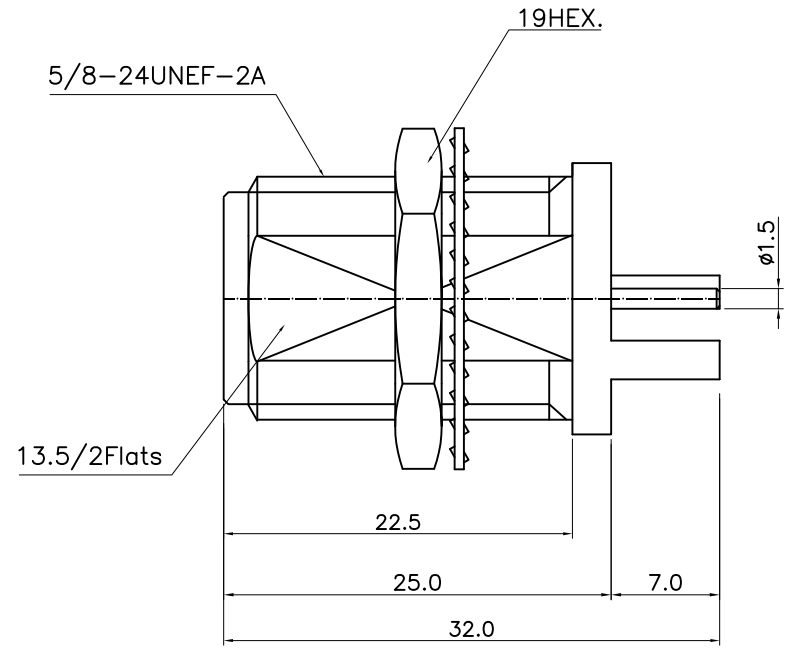


No.	Revision	Date	Name
①	Pin Dia, Leg thik.rev.(pcb solder)	2004/7/13	sj lee
②	PN Change from 1N-522-160R1	09/07/2013	B.G.YUN

RoHS Compliant



N-TYPE End Launch Bulkhead Jack Receptacle
-Round Contact(1.60Board)

Item	Materials	Plating
Body	Brass	Nickel Plated
Center contact	Be-Cu	Gold Plated
Insulator	PTFE	-

**CENTER CONTACT-CURRENT ; DC5.0Amp

CUSTOMER

NO.	DESCRIPTION	Q'TY	MATERIAL	FINISH	REMARKS.
PARTS No.	N-606-004		NAME	N-TYPE End Launch Bulkhead Jack Receptacle	APPROVED
MATERIAL	FINISH	TOLERANCES OTHERWISE SPEC. ±0.05		ANGLES ±1°	CHECKED
		SCALE	UNIT mm		DESIGNED S.J.LEE
		DWG NO. N-606-004		DATE. 2004/1/07	