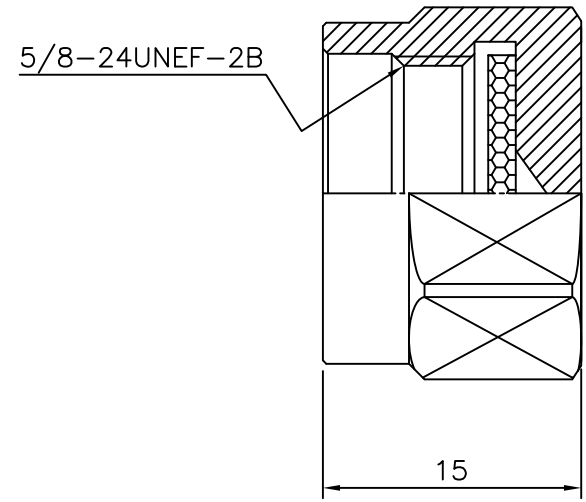
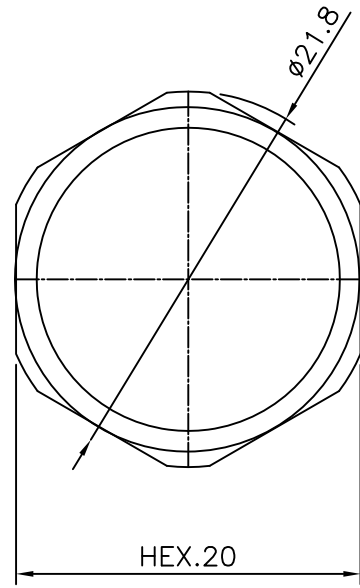


4	5	6	
No.	Revision	Date	Name
△	PN Change from 1N-011-03H	19/MAY/2014	S.J.PARK
△			



Connector parts	Materials	Finish
Coupling Cap	Brass	Nickel Plated
Gasket	Silicone rubber	-

N-Type PLUG
DUST CAP

NO.	DESCRIPTION	Q'TY	MATERIAL	FINISH	REMARKS.
PARTS No.	N-701-001	NAME	N-SP DUST CAP		APPROVED
MATERIAL	FINISH	TOLERANCES OTHERWISE SPEC. ±0.05		ANGLES ±1°	CHECKED
SCALE		UNIT	mm		DESIGNED S.J.LEE
DWG NO.		N-701-001		DATE.	28/MAY/2007

CUSTOMER

