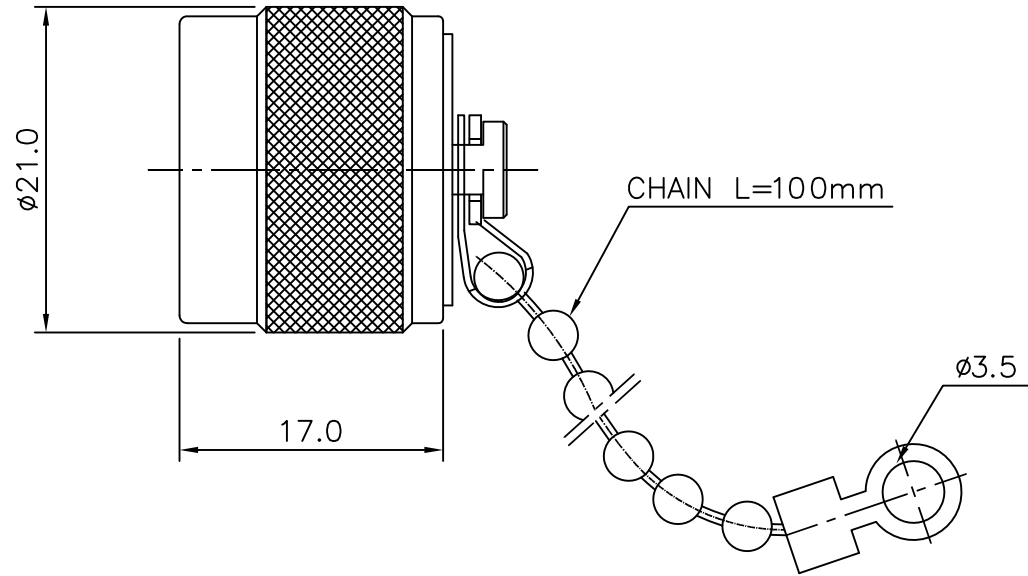


4	5	6
No.	Revision	Date
△	PN Change 1N-011-L100	23/JUL/2013
△		
		Name
		S.J.PARK

RoHS Compliant



*The ring is suitable for M3 screws
 *This is all with IP67

N-Type PLUG
 DUST CAP

Connector parts	Materials	Finish
Coupling Cap	Brass	Nickel Plated
Body	Brass	Nickel Plated
Chain	STEEL	Nickel Plated

NO.	DESCRIPTION	Q'TY	MATERIAL	FINISH	REMARKS.
PARTS No.	N-702-002	NAME	N-SP DUST CAP		APPROVED
MATERIAL	FINISH	TOLERANCES OTHERWISE SPEC. ±0.05		ANGLES ±1°	CHECKED
SCALE		UNIT	mm		DESIGNED S.J.LEE
DWG NO.		N-702-002		DATE.	15/DEC/2008

CUSTOMER

