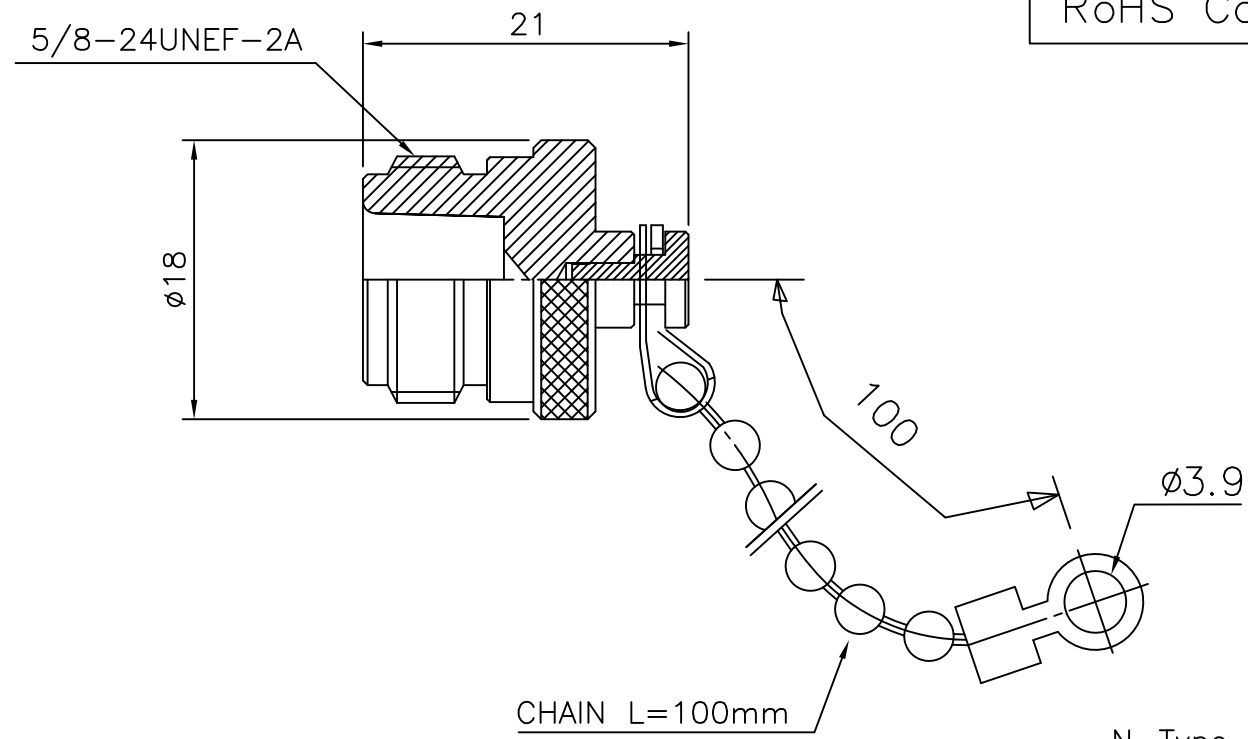


4	No.	Revision	Date	Name
	△	PN Change from 1N-012-L100	05/02/2014	B.G.YUN
	△			

RoHS Compliant



Connector parts	Materials	Finish
Body	Brass	Nickel Plated
Chain	Brass	Nickel Plated

NO.	DESCRIPTION	Q'TY	MATERIAL	FINISH	REMARKS.
PARTS No.	N-702-010		NAME	N-SJ DUST CAP	APPROVED
MATERIAL	FINISH	TOLERANCES OTHERWISE SPEC. ±0.05		ANGLES ±1°	CHECKED
SCALE		UNIT	mm		DESIGNED S.J.LEE
DWG NO.		N-702-010		DATE. 08/NOV/2007	

CUSTOMER

