

4	5	6	
No.	Revision	Date	Name
▲	PN Change from 1N-803-00	07/08/2013	B.G.YUN
▲			

RoHS Compliant

ELECTRICAL

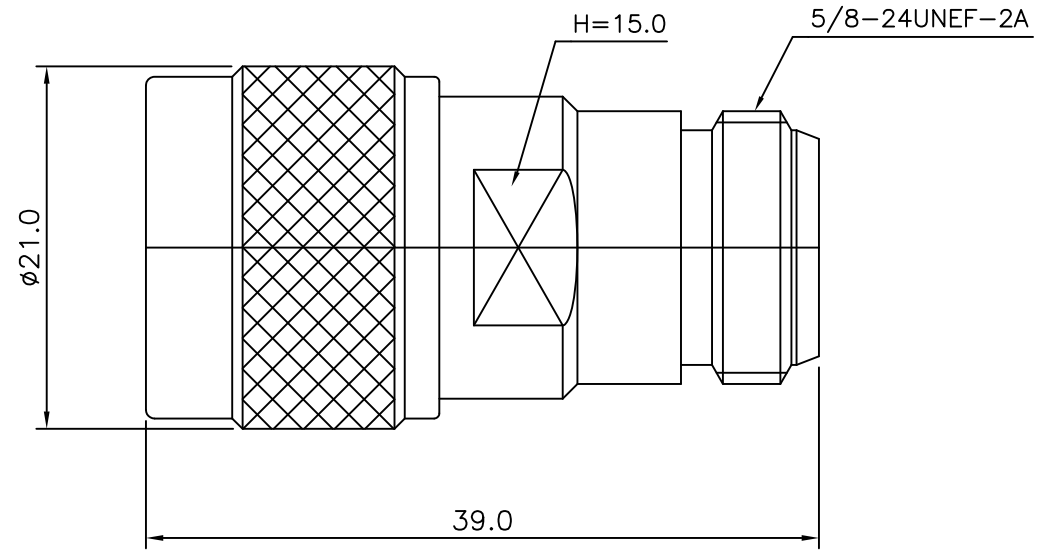
Impedance: 50Ω
 Frequency Range: DC 11GHz
 Contact current: DC 3.5A max
 Voltage rating: 1,000V rms
 Contact resistance: Center contact: 2.0mΩ
 Outer contact: 0.2mΩ
 Insulation resistance: 5000MΩ min
 V.S.W.R: 1.2:1MAX
 Insertion Loss: 0.2dB max.at 11GHz
 RF leakage: -90dBm min. from 2~3GHz

MECHANICAL

Coupling nut torque: 20Ncm-170Ncm
 Coupling nut retention force: 450N
 Life: 500matings
 Contact captivation: ≥27N

ENVIRONMENTAL

Temperature range: -65°C~+125°C
 Corrosion resistance: MIL-STD-202,Method101,Condition B.
 Moisture resistance: MIL-STD-202,Method106
 Thermal shock: MIL-STD-202,Method107,Condition B.
 Vibration: MIL-STD-202,Method204,Condition B.
 Shock: MIL-STD-202,Method213,Condition I.



N-TYPE PLUG TO JACK ADAPTOR

Item	Materials	Plating
Cap, Body	Brass	Nickel Plated
Center contact	Beryllium copper	Gold Plated
Insulator	PTFE	-

CUSTOMER

NO.	DESCRIPTION	Q'TY	MATERIAL	FINISH	REMARKS.
PARTS No.	N-802-001		NAME	N-P TO N-J Adap.	APPROVED S.J.LEE
MATERIAL	FINISH	TOLERANCES OTHERWISE SPEC. ±0.05		ANGLES ±1°	CHECKED
		SCALE	UNIT mm		DESIGNED S.J.PARK
DONGJIN TI.		DWG NO.	N-802-001		DATE. 29/MAR/2013