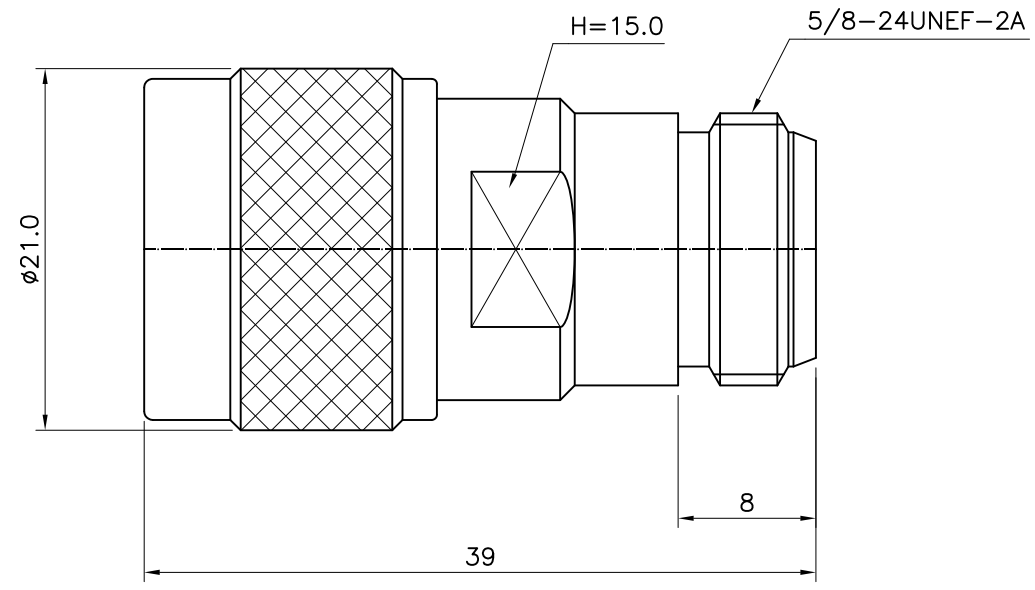


1 2 3 4 5 6

No.	Revision	Date	Name
△			
△			

RoHS Compliant

D
C
B
A



Item	Materials	Plating
Cap, Body	Brass	White bronze Plated
Center contact	Beryllium copper	Gold Plated
Insulator	PTFE	-

**VSWR; 1.25max. @11GHz

N-TYPE PLUG TO JACK ADAPTOR

CUSTOMER

NO.	DESCRIPTION	Q'TY	MATERIAL	FINISH	REMARKS.
PARTS No.	N-802-004	NAME	N-PJ Adaptor		APPROVED
MATERIAL	FINISH	TOLERANCES OTHERWISE SPEC. ± 0.05		ANGLES $\pm 1^\circ$	CHECKED
SCALE		UNIT	mm		DESIGNED S.J.LEE
DWG NO.		N-802-004		DATE.	19/AUG/2006

