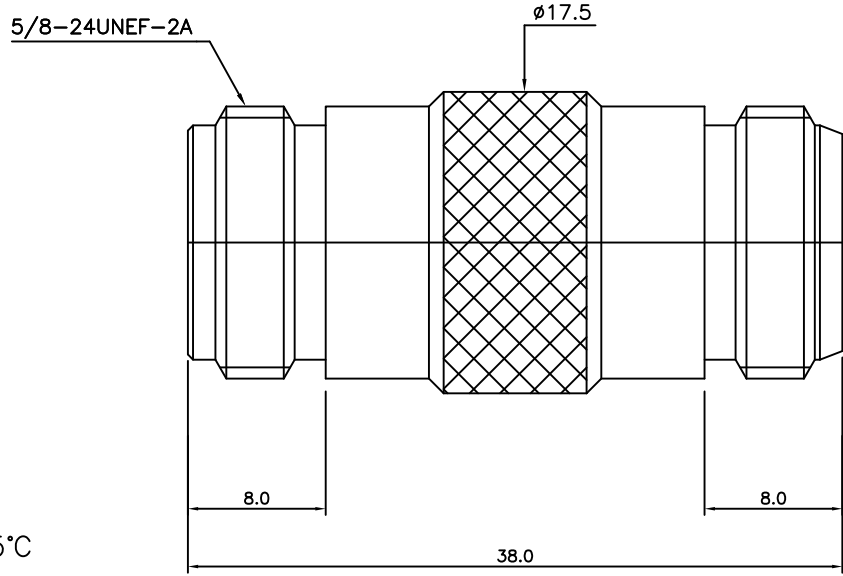


4	No.	Revision	Date	Name
	△	PN Change from 1N-802-00	06/08/2013	B.G.YUN
	△			

RoHS Compliant



Specifications
 Frequency range ; DC~11GHz
 Nominal Impedance ; 50 OHm
 Working voltage; 1000V rms
 VSWR; 1.2:1 max. @ DC~11GHz
 Insertion Loss: 0.2dB max.at 11GHz
 Oper. Temprature range ; -55~+145°C
 IP Grade; IP67

N-TYPE FEMALE TO FEMALE ADAPTOR

Item	Materials	Plating
Body	Brass	Nickel Plated
Center contact	Be-Cu	Gold Plated
Insulator	PTFE	-

NO.	DESCRIPTION	Q'TY	MATERIAL	FINISH	REMARKS.
PARTS No.	N-803-001		NAME	N-FF Adaptor	APPROVED
MATERIAL	FINISH	TOLERANCES OTHERWISE SPEC. ±0.05		ANGLES ±1°	CHECKED
SCALE		UNIT	mm		DESIGNED S.J.LEE
DWG NO.		N-803-001		DATE. 06/AUG/2013	

CUSTOMER

