

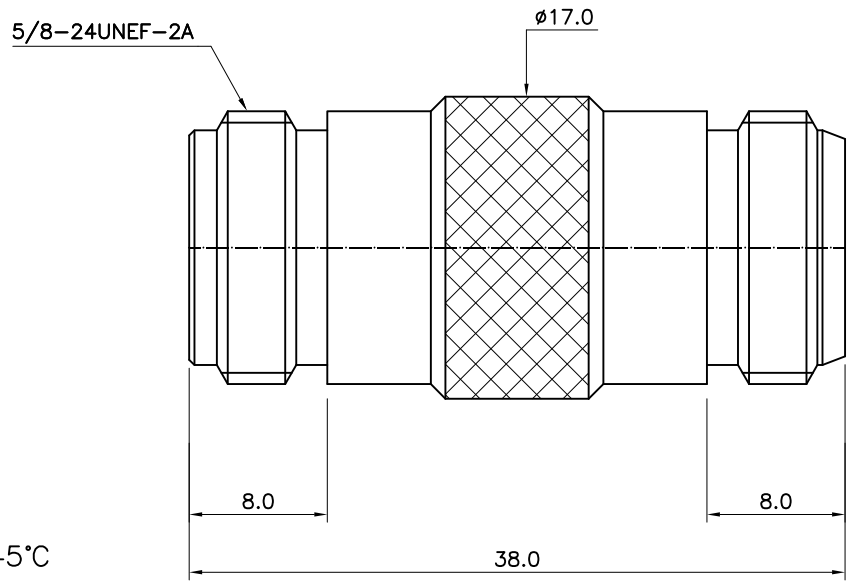
1 2 3 4 5 6

No.	Revision	Date	Name
△1	PN Change from 1N-802S-00	26/09/2013	B.G.YUN
△			

RoHS Compliant

Specifications

Frequency range ; DC~11GHz
 Nominal Impedance ; 50 OHm
 Working voltage; 1000V rms
 Proof Voltage ; 2500 Volts
 VSWR; 1.2:1 max. @ DC~9GHz
 Oper. Temperature range ; -55~+145°C



N-TYPE FEMALE TO FEMALE ADAPTOR

Item	Materials	Plating
Body	Stainless steel	Passivated
Center contact	Beryllium copper	Gold Plated
Insulator	PTFE	-

CUSTOMER

NO.	DESCRIPTION	Q'TY	MATERIAL	FINISH	REMARKS.
PARTS No.	N-803-003		NAME	N-FF Adaptor	APPROVED
MATERIAL	FINISH	TOLERANCES OTHERWISE SPEC. ±0.05		ANGLES ±1°	CHECKED
		SCALE	UNIT mm		DESIGNED S.J.LEE
		DWG NO.	N-803-003		DATE. 19/Nov/2007