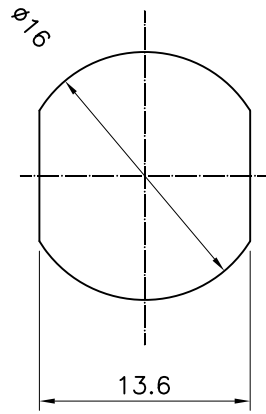
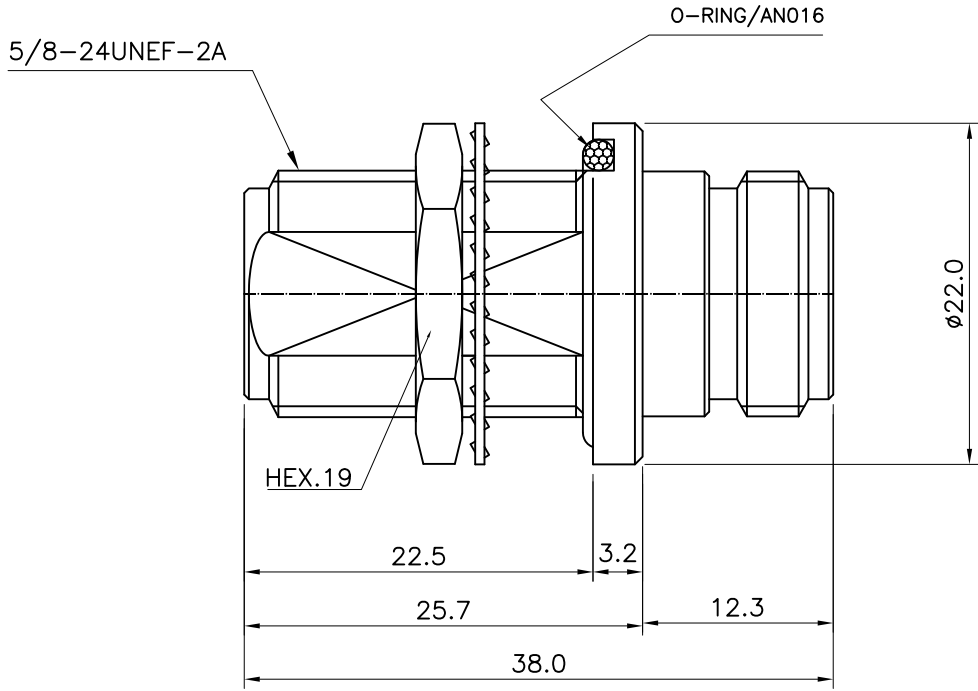


No.	Revision	Date	Name
△	PN Change from 1N-804-00	14/08/2013	B.G.YUN
△			

RoHS Compliant



MOUNTING HOLE



Item	Materials	Plating
Body,Nut	Brass	Nickel Plated
Center contact	Beryllium copper	Gold Plated
Insulator	PTFE	-
Seal	Silicon rubber	-

N-TYPE BULKHEAD JACK ADAPTOR with Panel SEAL(IP67)

VSWR ; max1.20:1 @ DC~9 GHz
 Insertion loss; 0.2dB typ.

CUSTOMER

NO.	DESCRIPTION	Q'TY	MATERIAL	FINISH	REMARKS.
PARTS No.	N-804-001		NAME	N-B/H-JJ with Seal	APPROVED
MATERIAL	FINISH	TOLERANCES OTHERWISE SPEC. ±0.05		ANGLES ±1°	CHECKED
SCALE		UNIT	mm		DESIGNED S.J.LEE
DWG NO.		N-804-001		DATE. 17/APR/2012	

