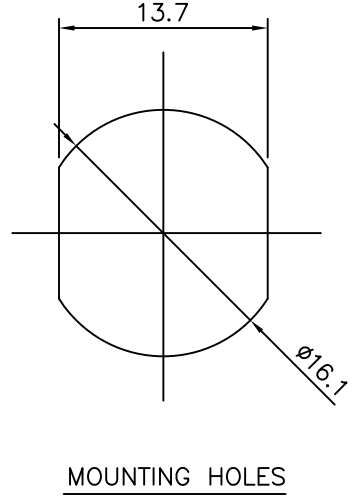
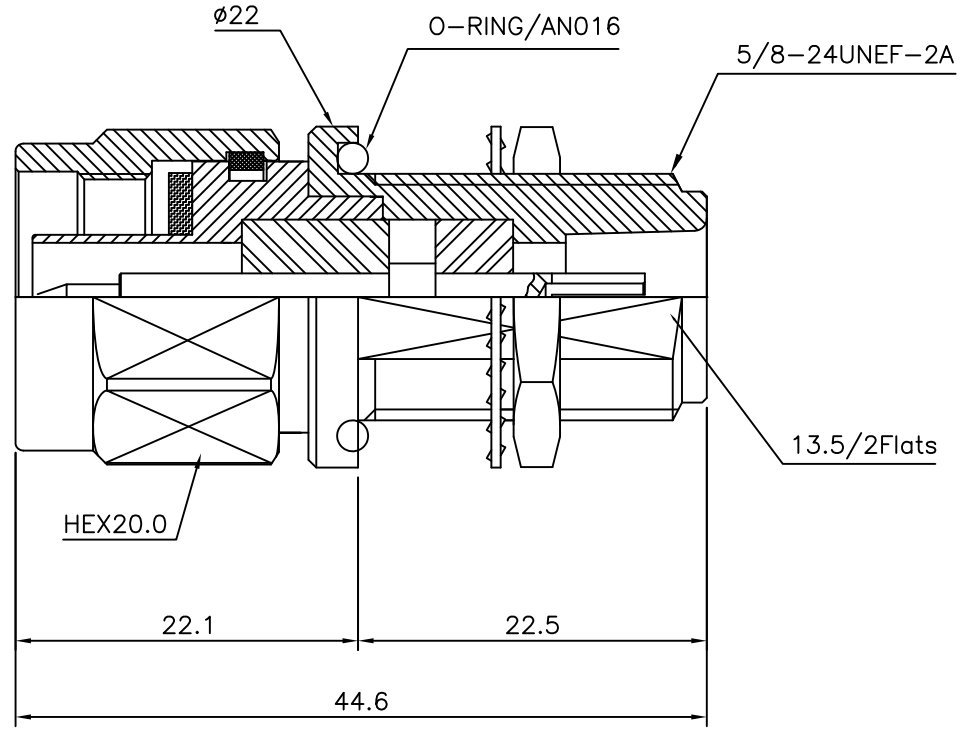


4	No.	Revision	5	Date	6	Name
	△					
	△					



N-PULG TO N B/H JACK
-ADAPTOR
(BULKHEAD MOUNT with SEAL)

Item	Materials	Plating
Body,Cap	Brass	Nickel Plated
Center contact	Be-Cu	Gold Plated
Insulator	PTFE	-
O-RING	Silicon rubber	-
Nut,Washer	Brass	Nickel Plated

CUSTOMER

NO.	DESCRIPTION	Q'TY	MATERIAL	FINISH	REMARKS.
PARTS No.	N-804-009	NAME	N/P-BJ Adaptor		APPROVED
MATERIAL	FINISH	TOLERANCES OTHERWISE SPEC. ±0.05		ANGLES ±1°	CHECKED
		SCALE	UNIT mm		DESIGNED S.J.LEE
		DWG NO.	N-804-009		DATE. 26/NOV/2013