

1 2 3 4 5 6

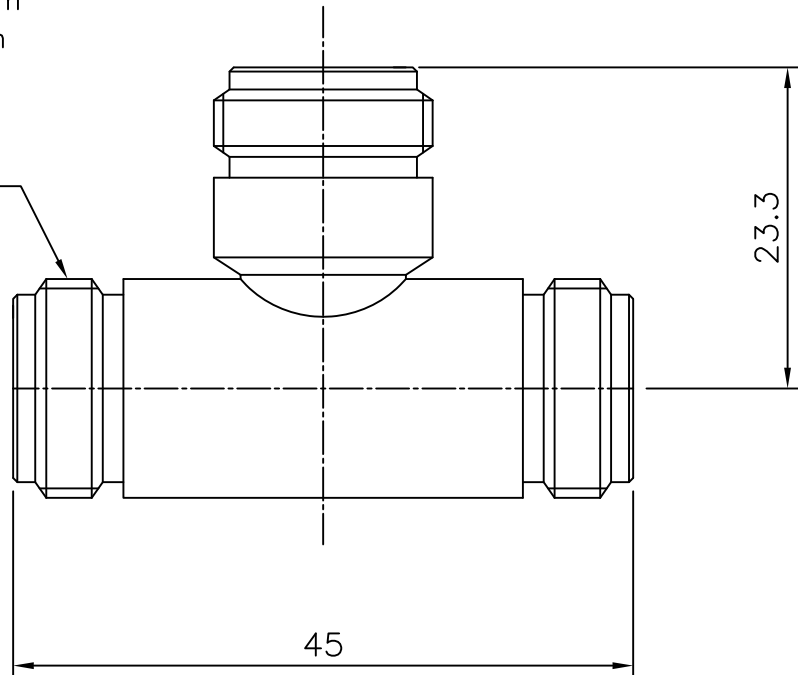
No.	Revision	Date	Name
△	PN Change from 1N-882-00	19/MAY/2014	S.J.PARK
△			

ELECTRICAL DATA

1. Impedance : 50 ohm
2. Frequency range ; Dc to 11GHz
3. Contact Current : DC 7.5A max.
4. Working Voltage : 1000V rms
5. Contact Resistance : Center Contacts 2.0m ohm
Outer Contacts 0.2m ohm
6. Insulation resistance: 5000M ohm
7. Insertion Loss : 3.0dB
8. V.S.W.R: max2.0:1

RoHS Compliant

5/8-24UNEF-2A



N-Type T-Adaptor
3JACKS

Connector parts	Materials	Finish
Body	Brass	Nickel Plated
Center contact	Be-Cu	Gold Plated
Insulator	TEFLON	-

CUSTOMER

NO.	DESCRIPTION	Q'TY	MATERIAL	FINISH	REMARKS.
PARTS No.	IN-882-00		NAME	N-T-JJJ ADAPTOR	APPROVED
MATERIAL	FINISH	TOLERANCES OTHERWISE SPEC. ±0.05		ANGLES ±1°	CHECKED
		SCALE	UNIT mm		DESIGNED S.J.LEE
		DWG NO.		N-807-001	DATE. 30/4/2003