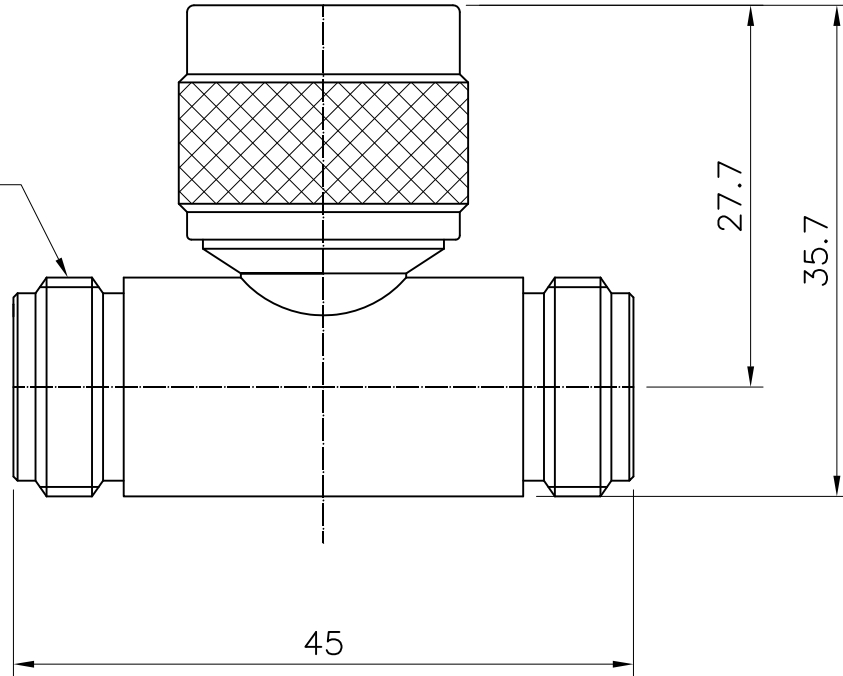


No.	Revision	Date	Name
△	PN Change from 1N-881-00	21/10/2013	B.G.YUN
△			

RoHS Compliant

5/8-24UNEF-2A



N-Type T-Adaptor
1PLUG, 2JACKS

Connector parts	Materials	Finish
Body	Brass	Nickel Plated
Center contact	Be-Cu Brass	Gold Plated
Insulator	TEFLON	-

CUSTOMER

NO.	DESCRIPTION	Q'TY	MATERIAL	FINISH	REMARKS.
PARTS No.	N-807-002	NAME	N-T-JPJ ADAPTOR		APPROVED
MATERIAL	FINISH	TOLERANCES OTHERWISE SPEC. ±0.05		ANGLES ±1°	CHECKED
SCALE		UNIT	mm		DESIGNED S.J.LEE
DWG NO.		N-807-002		DATE. 30/4/2003	



DONGJIN TI.