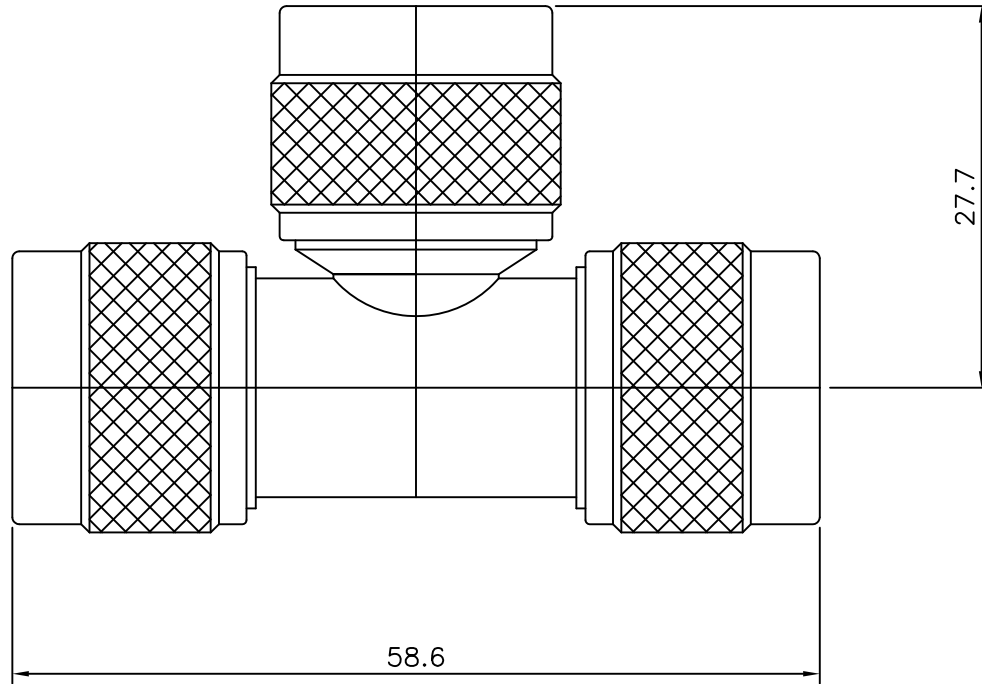


1 2 3 4 5 6

No.	Revision	Date	Name
△			
△			

D
C
B
A



N-Type T PPP Adaptor

Connector parts	Materials	Finish
Coupling cap	Brass	Nickel Plated
Body	Brass	Nickel Plated
Center contact	Brass	Gold Plated
Insulator	PTFE	-

CUSTOMER

NO.	DESCRIPTION	Q'TY	MATERIAL	FINISH	REMARKS.
PARTS No.	N-807-008	NAME	N-T-PPP ADAPTOR		APPROVED
MATERIAL	FINISH	TOLERANCES OTHERWISE SPEC. ±0.05		ANGLES ±1°	CHECKED
SCALE		UNIT	mm		DESIGNED S.J.LEE
DWG NO.		N-807-008		DATE.	30/4/2003

