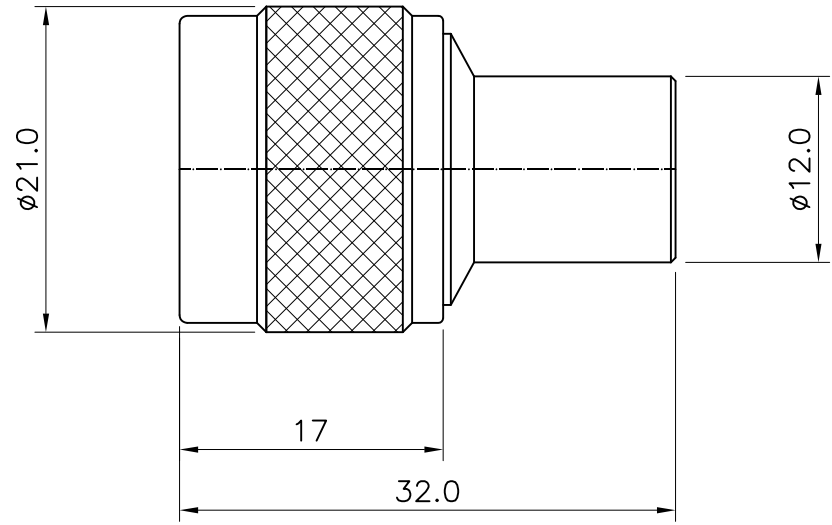


No.	Revision	Date	Name
△	PN Change from 1N-901-00	05/07/2013	B.G.YUN
△			

RoHS Compliant



SPECIFICATIONS

Frequency Range----- DC-6 GHz
 VSWR-----1.20:1Max.
 Impedance----- 50 Ohms
 Power Rating----- 3 Watts
 Oper Temp Range----- -50°C~+125°C

N CONNECTOR----- Brass/Nickel plated
 Conductors----- Brass/Gold plated

N-Type MALE Termination

CUSTOMER

NO.	DESCRIPTION	Q'TY	MATERIAL	FINISH	REMARKS.
PARTS No.	N-901-009	NAME	N-MALE TERMINATION		APPROVED
MATERIAL	FINISH	TOLERANCES OTHERWISE SPEC. ±0.05		ANGLES ±1°	CHECKED
		SCALE	UNIT mm		DESIGNED S.J.LEE
		DWG NO.	N-901-009		DATE. 04/MAY/2006