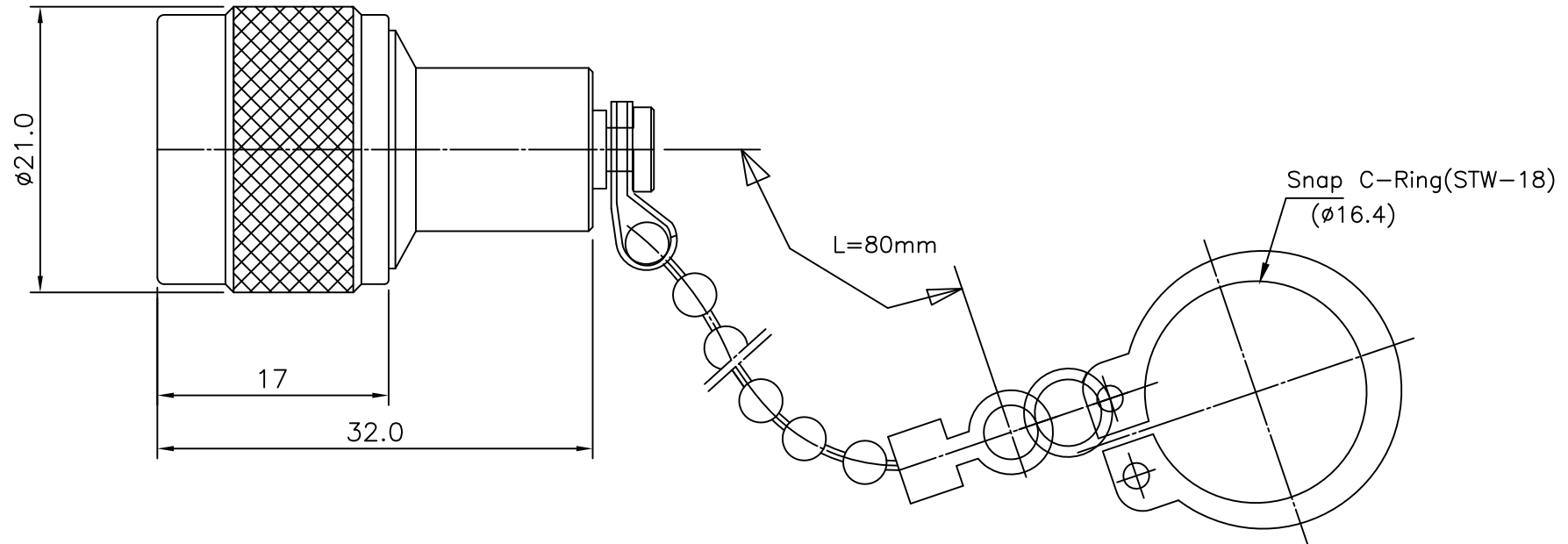


4	5	6
No.	Revision	Date
△		
△		

RoHS Compliant



SPECIFICATIONS

Frequency Range----- DC-6GHz
 VSWR-----1.20:1Max.
 Impedance----- 50 Ohms
 Power Rating----- 3Watts
 Oper Temp Range----- -50°C~+125°C

N CONNECTOR----- Brass/Nickel plated
 Chain----- Brass/Nickel plated
 Snap C-ring----- Spring steel(STW-18)

N-Type MALE Termination
with CHAIN (NBJ)

NO.	DESCRIPTION	Q'TY	MATERIAL	FINISH	REMARKS.
PARTS No.	N-901-015	NAME	N-MALE TERMINATION		APPROVED
MATERIAL	FINISH	TOLERANCES OTHERWISE SPEC. ±0.05		ANGLES ±1°	CHECKED
		SCALE	UNIT mm		DESIGNED S.J.LEE
		DWG NO.	N-901-015		DATE. 16/JAN/2014

CUSTOMER