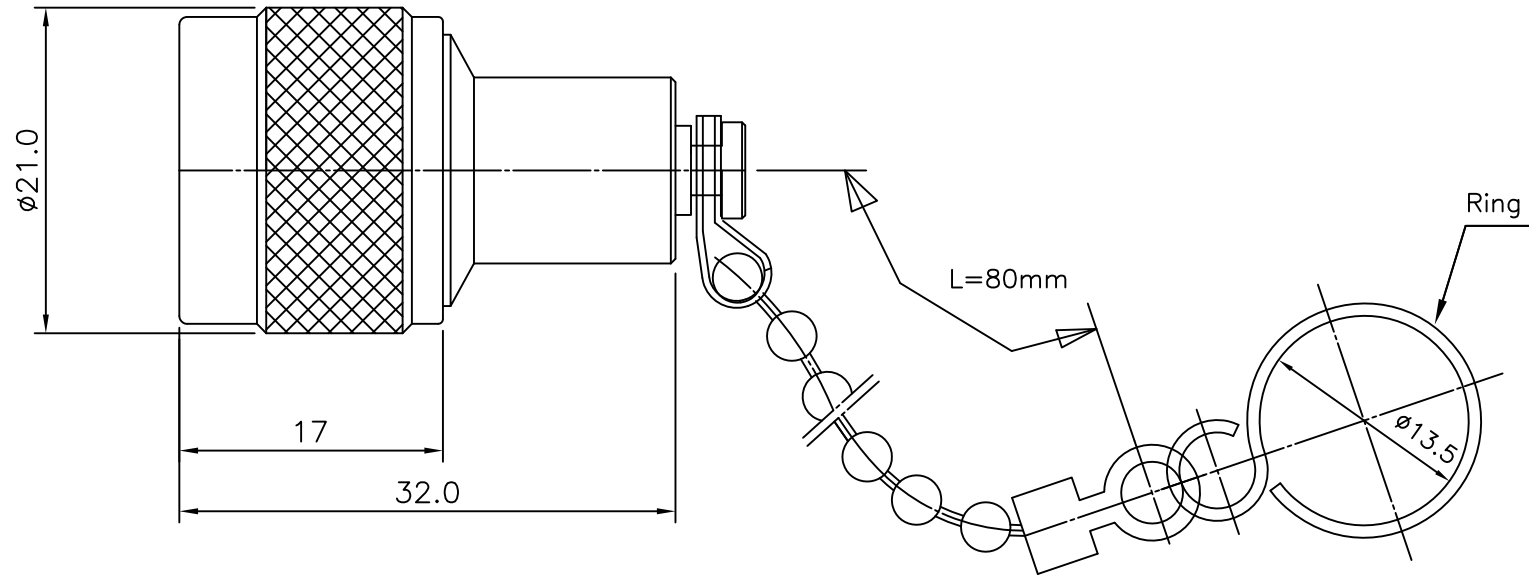


4	5	6
No.	Revision	Date
△		
△		

RoHS Compliant



SPECIFICATIONS

Frequency Range----- DC-6GHz  
 VSWR-----1.20:1Max.  
 Impedance----- 50 Ohms  
 Power Rating----- 3Watts  
 Oper Temp Range----- -50°C~+125°C

N CONNECTOR----- Brass/Nickel plated  
 Chain----- Brass/Nickel plated  
 Ring(NBJ)----- Spring steel/Nickel plated

N-Type MALE Termination  
 with CHAIN (NBJ)

CUSTOMER

NO.	DESCRIPTION	Q'TY	MATERIAL	FINISH	REMARKS.
PARTS No.	N-901-016	NAME	N-MALE TERMINATION		APPROVED
MATERIAL	FINISH	TOLERANCES OTHERWISE SPEC. ±0.05		ANGLES ±1°	CHECKED
SCALE		UNIT	mm		DESIGNED S.J.LEE
DWG NO.		N-901-016		DATE. 16/JAN/2014	

