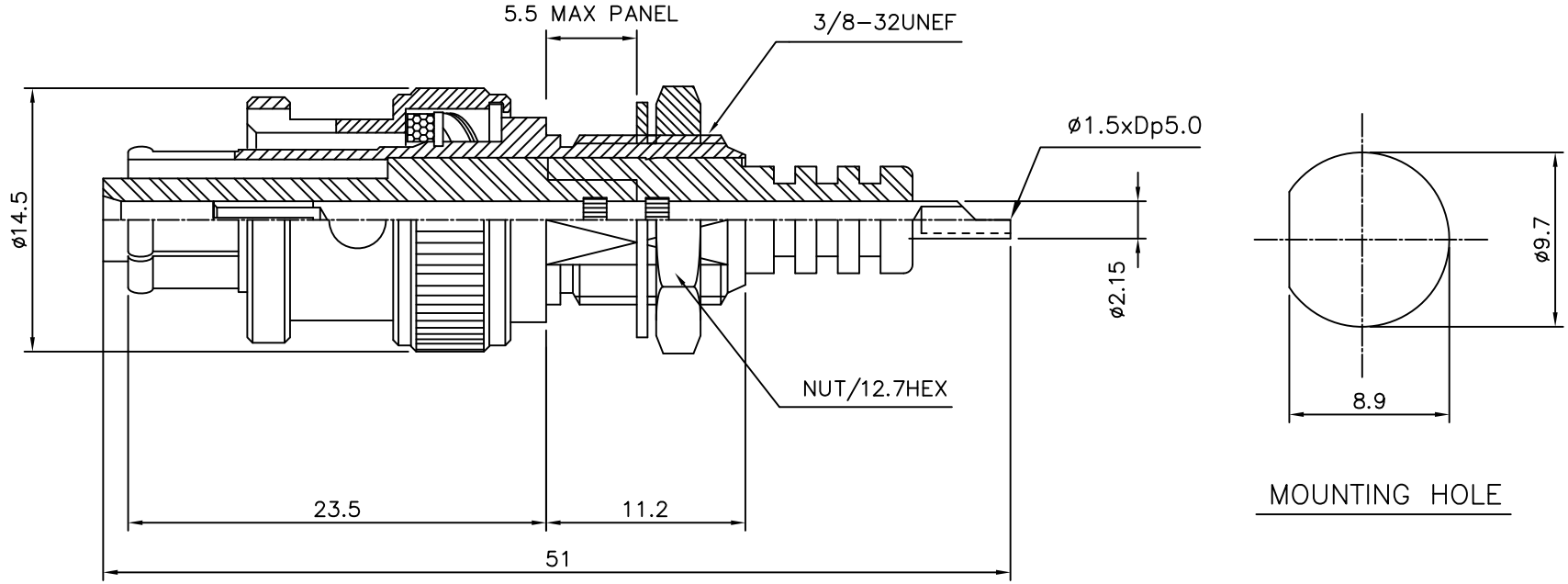


4	5	6	
No.	Revision	Date	Name
△	PN Change from 1SHV-601-F44118G	05/12/2013	B.G.YUN
△			

RoHS Compliant



*MAXIMUM VOLTAGE
3,000 VRMS
5,000 DC

SHV FEMALE(PLUG),BULKHEAD RECEPTACLE
FRONT MOUNT

Item	Materials	Plating
Body,Coupling	Brass	Nickel Plated
Center contact	Brass	Gold Plated
Insulator	PTFE	-
O-Ring	Silicone rubber	-

CUSTOMER

NO.	DESCRIPTION	Q'TY	MATERIAL	FINISH	REMARKS.
PARTS No.	SHV-505-001		NAME	SHV-B/H PLUG RECEP.	APPROVED
MATERIAL	FINISH	TOLERANCES OTHERWISE SPEC. ±0.05		ANGLES ±1°	CHECKED
SCALE		UNIT	mm		DESIGNED S.J.LEE
DWG NO.		SHV-505-001		DATE.	07/JUN/2012

