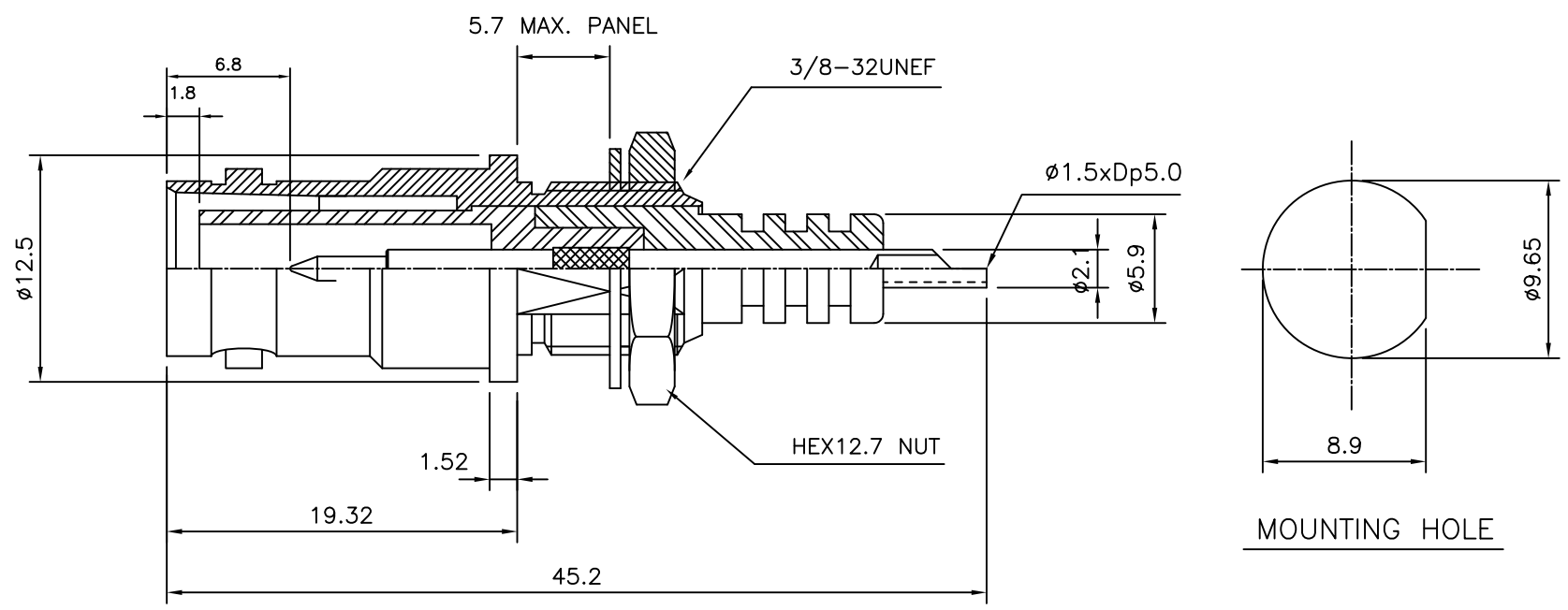


4	5	6	
No.	Revision	Date	Name
△	PN Change from 1SHV-602-4011	07/APR/2014	B.G.YUN
△			

D
C
B
A



*MAXIMUM VOLTAGE
3,000 VRMS
5,000 DC

SHV MALE(JACK),BULKHEAD RECEPTACLE
FRONT MOUNT

Item	Materials	Plating
Body,Nut,Washer	Brass	Nickel Plated
Center contact	Brass	Gold Plated
Insulator	PTFE	-

CUSTOMER

NO.	DESCRIPTION	Q'TY	MATERIAL	FINISH	REMARKS.
PARTS No.	SHV-506-001	NAME		SHV-B/H JACK RECP.	APPROVED
MATERIAL	FINISH	TOLERANCES		OTHERWISE SPEC. ±0.05	ANGLES ±1°
SCALE		UNIT	mm		DESIGNED S.J.LEE
		DWG NO.		SHV-506-001	DATE. 10/FEB/2011