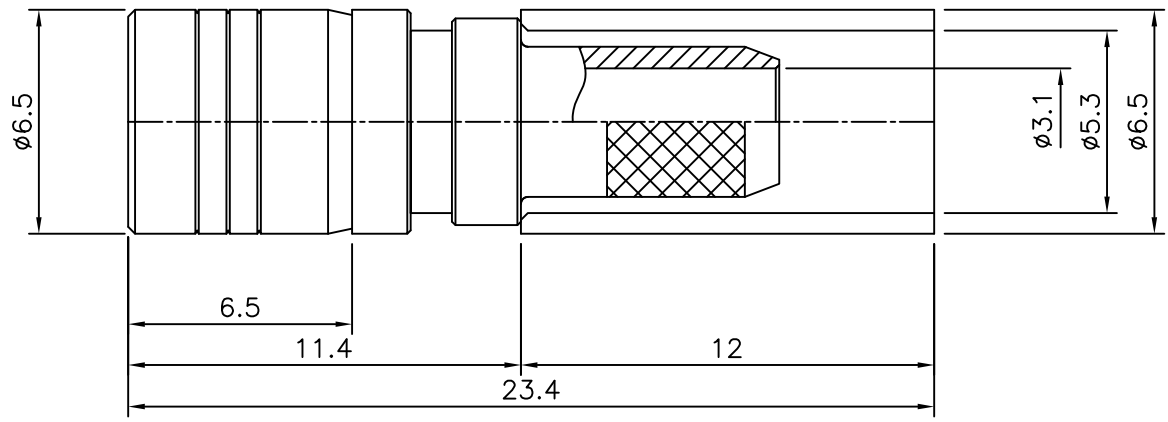


4	No.	Revision	Date	Name
	△			
	△			

RoHS Compliant



SLB—Straight Female PLUG
for Cable—RG58

Connector parts	Materials	Finish
Body	Brass	Gold Plated
Center contact	Be—Cu	Gold Plated
Ferrule	Brass	Gold Plated
Insulator	TEFLON	—

NO.	DESCRIPTION	Q'TY	MATERIAL	FINISH	REMARKS.
PARTS No.	SLB-112-001	NAME	SLB-SP RG58		APPROVED S.J.LEE
MATERIAL	FINISH	TOLERANCES OTHERWISE SPEC. ±0.05		ANGLES ±1°	CHECKED
SCALE		UNIT mm			DESIGNED S.J.PARK
DWG NO.		SLB-112-001		DATE. 05/DEC/2013	

CUSTOMER

