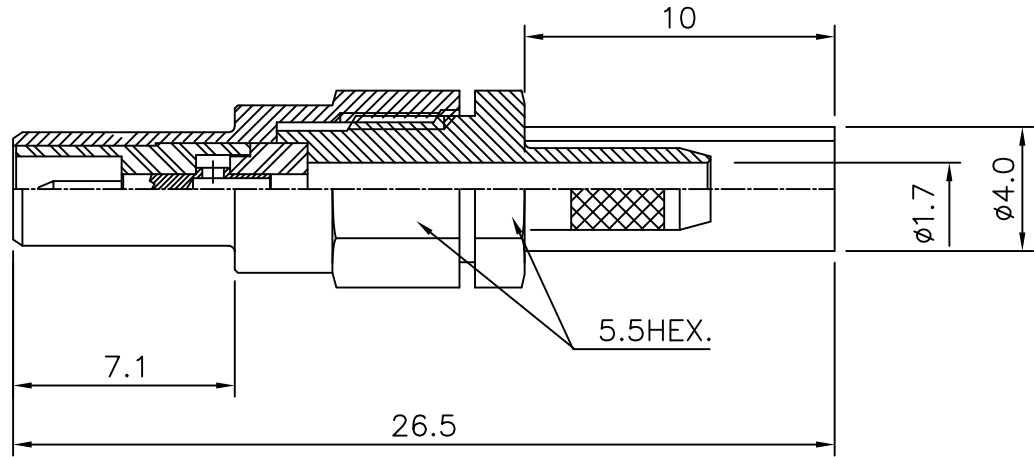


1                      2                      3                      4                      5                      6

| No. | Revision | Date | Name |
|-----|----------|------|------|
| △   |          |      |      |
| △   |          |      |      |

RoHS Compliant



| Connector parts | Materials | Finish      |
|-----------------|-----------|-------------|
| Body            | BRASS     | Gold Plated |
| Nut,Sleeve      | BRASS     | Gold Plated |
| Center contact  | BRASS     | Gold Plated |
| Insulator       | Teflon    | -           |
| Ferrule         | BRASS     | Gold Plated |

SLB—Straight male  
Cable JACK—RG174,316  
(Captive contact)

| NO.       | DESCRIPTION | Q'TY                                | MATERIAL        | FINISH     | REMARKS.            |
|-----------|-------------|-------------------------------------|-----------------|------------|---------------------|
| PARTS No. | SLB-211-001 | NAME                                | SLB-SJ174 CRIMP |            | APPROVED            |
| MATERIAL  | FINISH      | TOLERANCES<br>OTHERWISE SPEC. ±0.05 |                 | ANGLES ±1° | CHECKED             |
| SCALE     |             | UNIT                                | mm              |            | DESIGNED<br>S.J.LEE |
| DWG NO.   |             | SLB-211-001                         |                 | DATE.      | 08/NOV/2010         |

*CUSTOMER*

