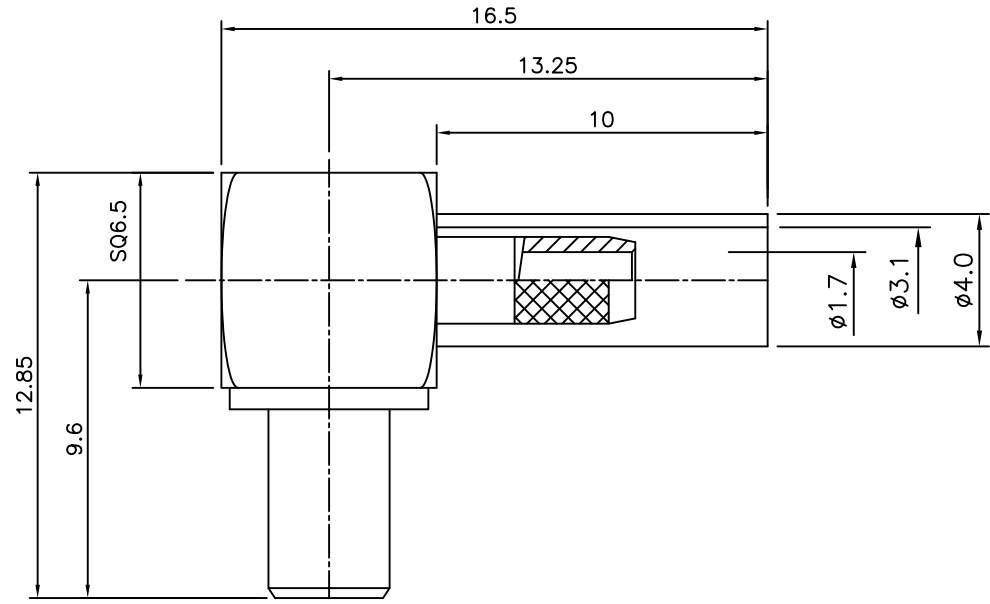


1 2 3 4 5 6

No.	Revision	Date	Name
△			
△			

RoHS Compliant



SLB Right angle male crimp JACK
for CABLE RG316,174

Connector parts	Materials	Finish
Body	Brass	Gold Plated
Center contact	Brass	Gold Plated
Insulator	PTFE	-
Ferrule	Brass	Gold Plated

CUSTOMER

NO.	DESCRIPTION	Q'TY	MATERIAL	FINISH	REMARKS.
PARTS No.	SLB-311-002	NAME		SLB-LJ316	APPROVED
MATERIAL	FINISH	TOLERANCES		OTHERWISE SPEC. ±0.05	ANGLES ±1°
SCALE		UNIT	mm		DESIGNED S.J.LEE
		DWG NO.		SLB-311-002	DATE. 05/JUN/2009

D
C
B
A