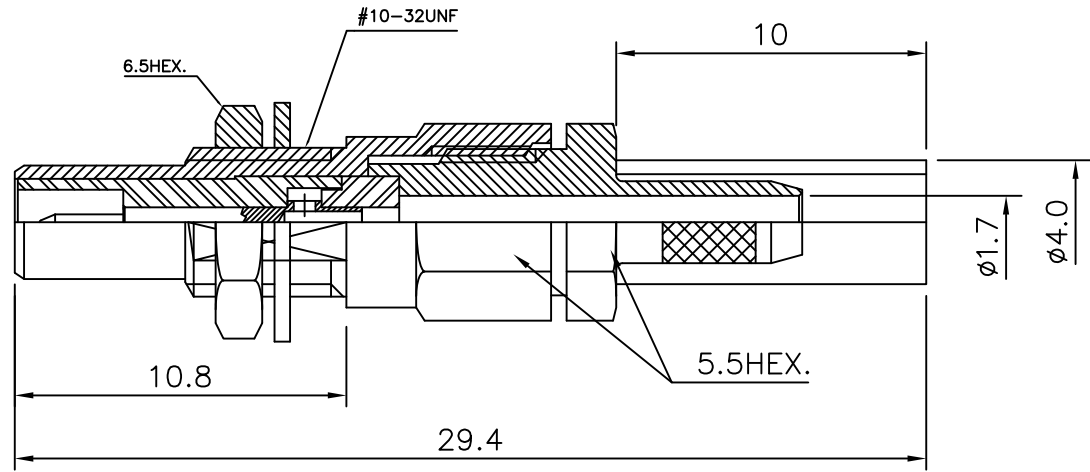


4	5	6
No.	Revision	Date
△		
△		

RoHS Compliant



Connector parts	Materials	Finish
Body,Nut,Washer	BRASS	Gold Plated
Back nut	BRASS	Gold Plated
Center contact	BRASS	Gold Plated
Insulator	Teflon	
Ferrule	BRASS	Gold Plated

SLB-Bulkhead male
Cable JACK-RG316,174
(Captive contact)

NO.	DESCRIPTION	Q'TY	MATERIAL	FINISH	REMARKS.
PARTS No.	SLB-411-002	NAME	SMB-BJ316 CRIMP		APPROVED
MATERIAL	FINISH	TOLERANCES OTHERWISE SPEC. ±0.05		ANGLES ±1°	CHECKED
SCALE		UNIT	mm		DESIGNED S.J.LEE
DWG NO.		SLB-411-002		DATE.	08/NOV/2010

CUSTOMER

