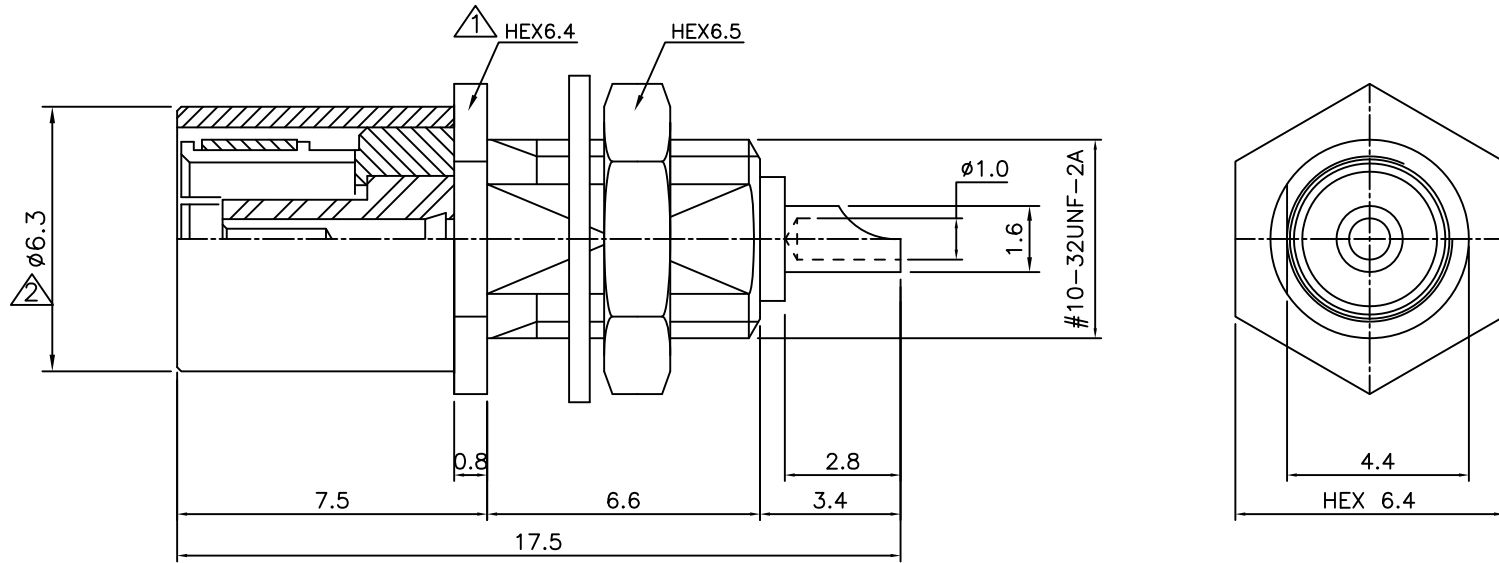


No.	Revision	Date	Name
①	HEX. Change from 6.5 to 6.4	21/JAN/2014	S.J.PARK
②	Dia. Change from 6.4 to 6.3	21/JAN/2014	S.J.PARK



SLB(CMS) Bulkhead Receptacle
Front Mount-PLUG
Solder Pot Contact

Connector parts	Materials	Finish
Body	Brass	Gold Plated
Center contact	BeCu	Gold Plated
Outer contact	BeCu	Gold Plated
Insulator	PTFE	-

CUSTOMER

NO.	DESCRIPTION	Q'TY	MATERIAL	FINISH	REMARKS.
PARTS No.	SLB-505-001		NAME	SLB-BR-PLUG	APPROVED
MATERIAL	FINISH	TOLERANCES OTHERWISE SPEC. ±0.05		ANGLES ±1°	CHECKED
		SCALE	UNIT mm		DESIGNED S.J.LEE
DONGJIN TI.		DWG NO.	SLB-505-001	DATE.	09/JAN/2014