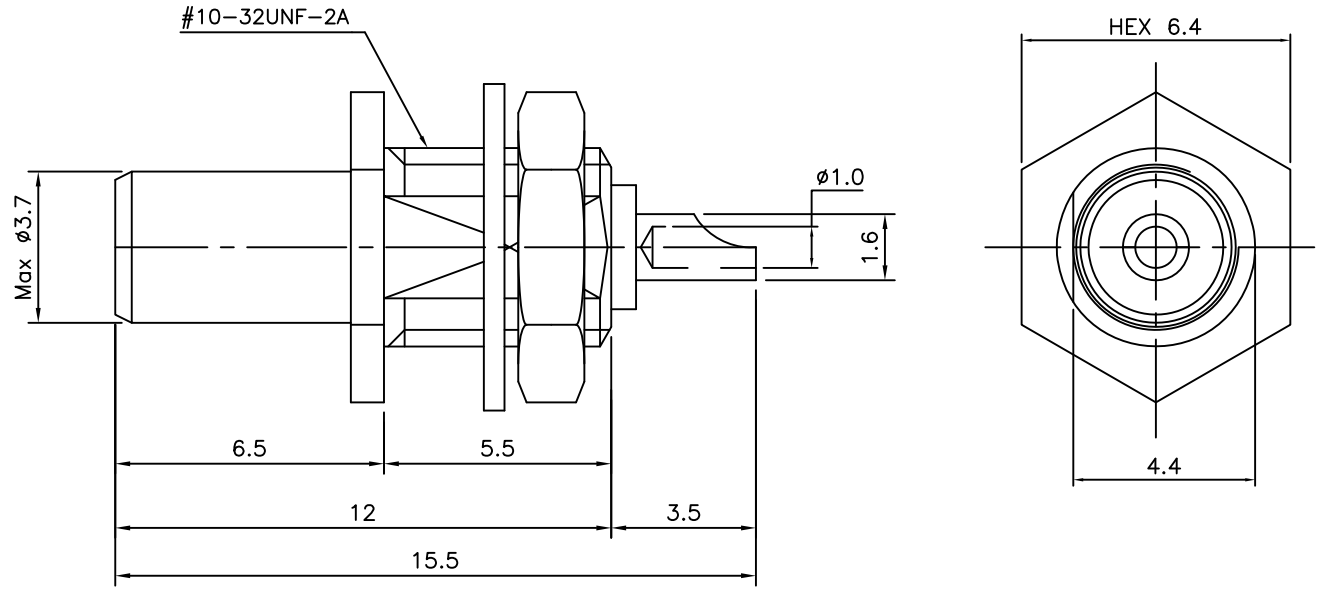


4	No.	Revision	5	Date	6	Name
	△					
	△					

RoHS Compliant



SLB Bulkhead Receptacle
Front Mount-JACK (Solder pot)

Connector parts	Materials	Finish
Body,Nut,Washer	Brass	Gold Plated
Center contact	Brass	Gold Plated
Insulator	PTFE	-

CUSTOMER

NO.	DESCRIPTION	Q'TY	MATERIAL	FINISH	REMARKS.
PARTS No.	SLB-506-001	NAME	SLB-BR-JACK		APPROVED
MATERIAL	FINISH	TOLERANCES OTHERWISE SPEC. ±0.05		ANGLES ±1°	CHECKED
		SCALE	UNIT mm		DESIGNED S.J.LEE
		DWG NO.	SLB-506-001		DATE. 29/AUG/2013