

1 2 3 4 5 6

No.	Revision	Date	Name
△			
△			

ELECTRICAL DATA

Impedance : 50Ω
 Frequency range : DC~18GHz
 Insulation resistance : 5000MΩ min.
 Insertion loss : 0.05√f(GHz)dB
 V.S.W.R : 1.20:1
 RF leakage : -60dBm min. between 2~3GHz

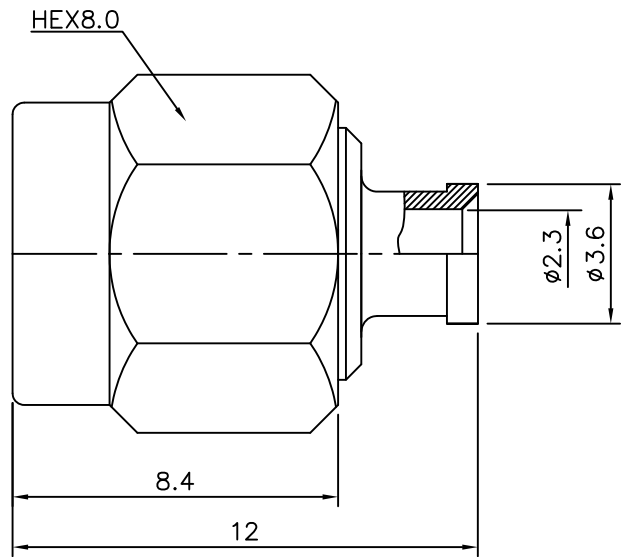
RoHS Compliant

MECHANICAL DATA

Coupling nut torque : 90Ncm~110Ncm
 Coupling nut retention force : ≥200N
 Durability : 500 matings.
 Contact captivation : ≥27N

ENVIRONMENTAL DATA

Temperature range : -65°C ~ +125°C
 Corrosion resistance : MIL-STD-202, Method 101, Condition B.
 Moisture resistance : MIL-STD-202, Method 106
 Thermal shock : MIL-STD-202, Method 107, Condition B.
 Vibration : MIL-STD-202, Method 204, Condition D.
 Shock : MIL-STD-202, Method 213, Condition I.



SMA-Straight-PLUG
for Cable-UT085

Connector parts	Materials	Finish
Coupling Cap	BRASS	Nickel Plated
Body	BRASS	Gold Plated
Center contact	Brass	Gold Plated
Insulator	PTFE	-

NO.	DESCRIPTION	Q'TY	MATERIAL	FINISH	REMARKS.
PARTS No.	SMA-101-002	NAME	SMA-SP-085		APPROVED
MATERIAL	FINISH	TOLERANCES OTHERWISE SPEC. ±0.05	ANGLES ±1°		CHECKED
		SCALE	UNIT mm		DESIGNED S.J.LEE
CUSTOMER		DWG NO.	SMA-101-002		DATE. 30/NOV/2006

