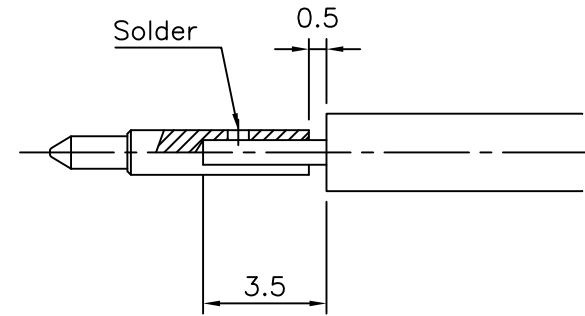
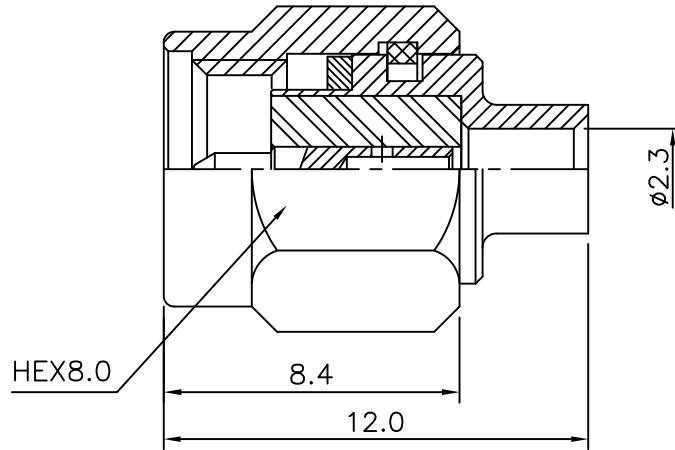


4	5	6	
No.	Revision	Date	Name
△	PN Change from 1S-101SP-00	04/12/2013	B.G.YUN
△			

SPECIFICATIONS

Impedance ; 50ohm
 Frequency range ; DC~18GHz
 Insertion loss ; 0.15dB max@18GHz
 V.S.W.R ; 1.20:1 max@18GHz
 Temperature range : -55°C to +155°C
 Insulation resistance: 5000MΩ

RoHS Compliant



CENTER CONTACT ASS'Y

SMA-Straight-PLUG
 for Cable-UT085

Connector parts	Materials	Finish
Coupling Cap	Stainless steel	Passivated
Body	Stainless steel	Gold Plated
Center contact	Brass	Gold Plated
Insulator	PTFE	-

NO.	DESCRIPTION	Q'TY	MATERIAL	FINISH	REMARKS.
PARTS No.	SMA-101-006		NAME	SMA-SP-085	APPROVED
MATERIAL	FINISH	TOLERANCES OTHERWISE SPEC. ±0.05		ANGLES ±1°	CHECKED
SCALE		UNIT	mm		DESIGNED S.J.LEE
DONGJIN TI.		DWG NO.	SMA-101-006		DATE. 08/FEB/2008

CUSTOMER