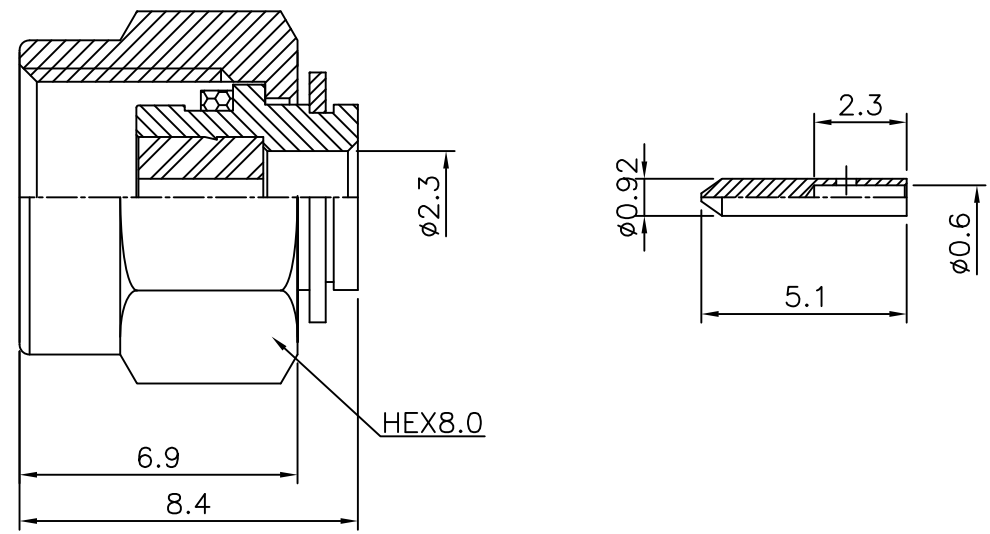


4	No.	Revision	5	Date	6
	△	PN Change from 1S-101SP-3183		14/FEB/2014	S.J.PARK
	△				

RoHS Compliant



Connector parts	Materials	Finish
Coupling Cap	Stainless steel	Passivated
Body	Stainless steel	Gold Plated
Center contact	Brass	Gold Plated
Insulator	PTFE	-
Gasket	Silicone rubber	-
C-Ring	Stainless steel	Gold Plated

SMA-Straight-PLUG
for Cable-UT085

NO.	DESCRIPTION	Q'TY	MATERIAL	FINISH	REMARKS.
PARTS No.	SMA-101-010		NAME	SMA-SP-085	APPROVED
MATERIAL	FINISH	TOLERANCES OTHERWISE SPEC. ±0.05		ANGLES ±1°	CHECKED
SCALE		UNIT	mm		DESIGNED S.J.LEE
DWG NO.		SMA-101-010		DATE.	09/AUG/2011

CUSTOMER

