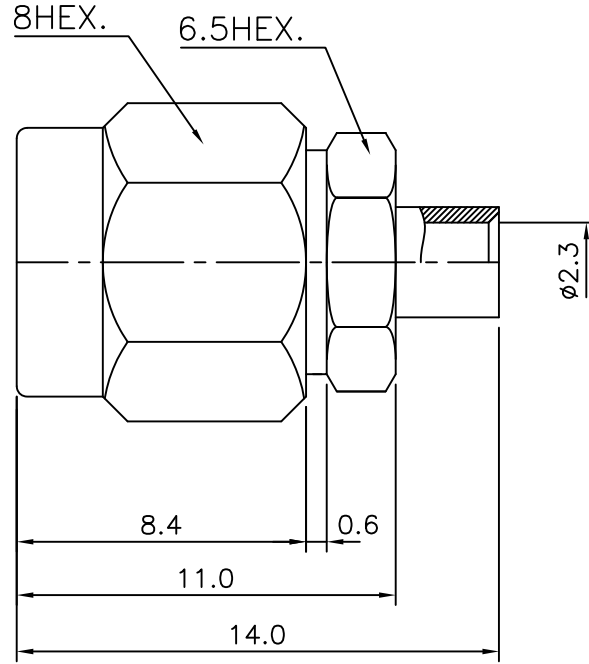


1 2 3 4 5 6

No.	Revision	Date	Name
△			
△			

SPECIFICATIONS

Impedance ; 50ohm
 Frequency range ; DC~18GHz
 Insertion loss ; 0.15dB max@18GHz
 V.S.W.R ; 1.20:1 max@18GHz
 Temperature range : -55°C to +155°C



SMA-Straight-PLUG (Anti-torque)
 for Cable-UT085

Connector parts	Materials	Finish
Coupling Cap	Stainless steel	Passivated
Body	Brass	Gold Plated
Center contact	Brass	Gold Plated
Insulator	PTFE	-

NO.	DESCRIPTION	Q'TY	MATERIAL	FINISH	REMARKS.
PARTS No.	SMA-101-018	NAME	SMA-SP-085		APPROVED
MATERIAL	FINISH	TOLERANCES OTHERWISE SPEC. ±0.05		ANGLES ±1°	CHECKED
SCALE		UNIT	mm		DESIGNED S.J.LEE
DWG NO.		SMA-101-018		DATE.	2001.05/07

CUSTOMER

