

1 2 3 4 5 6

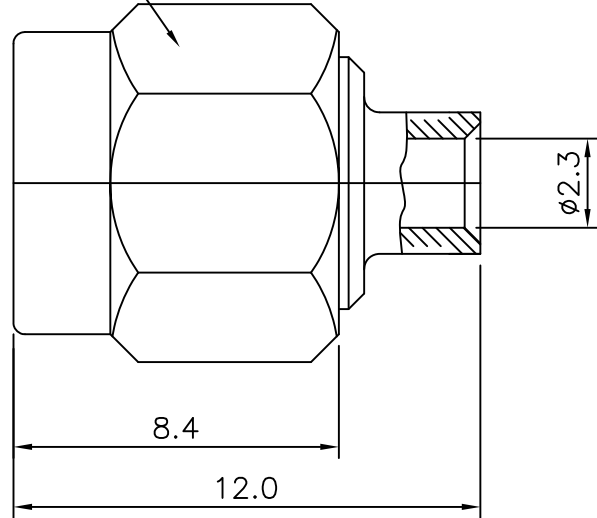
No.	Revision	Date	Name
△			
△			

SPECIFICATIONS

Impedance ; 50ohm
 Frequency range ; DC~18GHz
 Insertion loss ; 0.15dB max@18GHz
 V.S.W.R ; 1.20:1 max@18GHz
 Temperature range : -55°C to +155°C

RoHS Compliant

8HEX.



**SMA-Straight-PLUG
for Cable-UT085**

Connector parts	Materials	Finish
Coupling Cap	BRASS	Nickel Plated
Body	Stainless steel	Gold Plated
Center contact	Brass	Gold Plated
Insulator	PTFE	-

NO.	DESCRIPTION	Q'TY	MATERIAL	FINISH	REMARKS.
PARTS No.	SMA-101-021	NAME	SMA-SP-085		APPROVED
MATERIAL	FINISH	TOLERANCES OTHERWISE SPEC. ±0.05		ANGLES ±1°	CHECKED
SCALE		UNIT	mm		DESIGNED S.J.LEE
DWG NO.		SMA-101-021		DATE.	30/NOV/2006

CUSTOMER

DONGJIN TI.