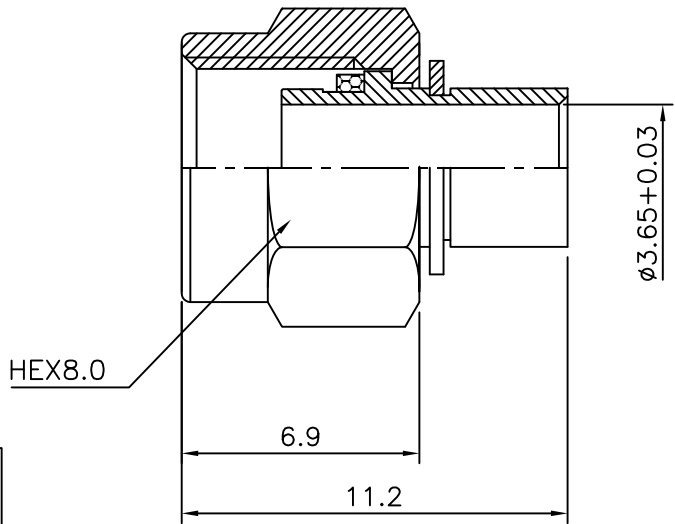


No.	Revision	Date	Name
△	PN Change from 1S-102SG-5361	06/08/2013	B.G.YUN
△			

RoHS Compliant



※NOTES
 It should be shipped by 3 loosen parts of
 Coupling cap, C-Ring, Body+Gasket
 In Korean, 출고시
 Coupling cap, C-Ring, Body+Gasket
 3가지로 나눠서 출고

SMA-Straight-PLUG
 for Cable-UT141
 *(Use cable for center contact)

Connector parts	Materials	Finish
Coupling Cap	Stainless steel	Gold Plated
Body	Stainless steel	Gold Plated
Gasket	Silicone rubber	-
C-Ring	Stainless steel	Gold Plated

NO.	DESCRIPTION	Q'TY	MATERIAL	FINISH	REMARKS.
PARTS No.	SMA-102-005		NAME	SMA-SP-141	APPROVED
MATERIAL	FINISH	TOLERANCES OTHERWISE SPEC. ±0.05		ANGLES ±1°	CHECKED
SCALE		UNIT	mm		DESIGNED S.J.LEE
DWG NO.		SMA-102-005		DATE. 11/AUG/2011	

CUSTOMER

