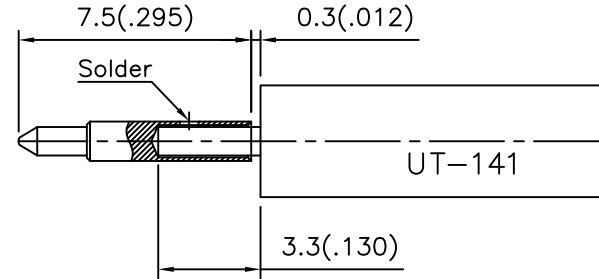
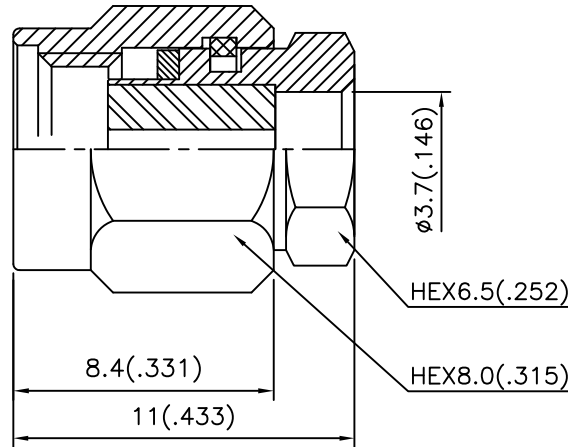


1	2	3	4	5	6
No.	Revision		Date	Name	
△					
△					

SPECIFICATIONS

Impedance ; 50ohm
 Frequency range ; DC~18GHz
 Insertion loss ; 0.15dB max@18GHz
 V.S.W.R ; 1.20:1 max@18GHz
 Temperature range : -55°C to +155°C

RoHS Compliant



CENTER CONTACT

SMA-Straight-PLUG (Anti-torque)
 for Semi rigid Cable-UT141

Connector parts	Materials	Finish
Coupling Cap	Stainless steel	Passivated
Body	Brass	Gold Plated
Center contact	Brass	Gold Plated
Insulator	PTFE	-
Gasket	Silicone rubber	-

NO.	DESCRIPTION	Q'TY	MATERIAL	FINISH	REMARKS.
PARTS No.	SMA-102-006		NAME	SMA-SP-141	APPROVED S.J.LEE
MATERIAL	FINISH	TOLERANCES OTHERWISE SPEC. ±0.05		ANGLES ±1°	CHECKED
		SCALE	UNIT mm		DESIGNED S.J.PARK
		DWG NO.		SMA-102-006	DATE. 06/DEC/2012

CUSTOMER